

elfa[®] utility

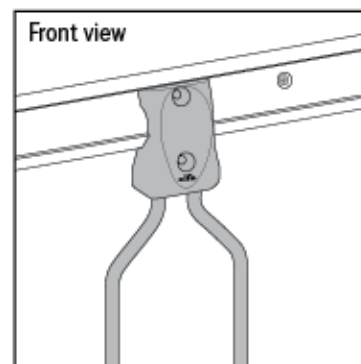
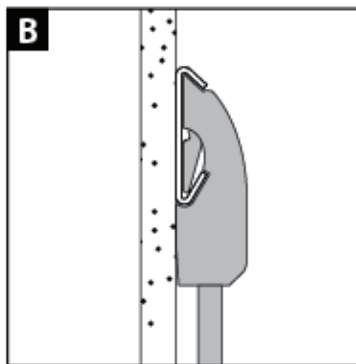
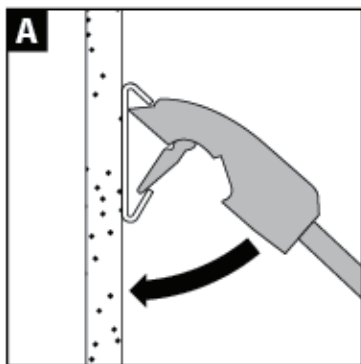
The Container Store[®]

Instructions for Easy Installation

Our revolutionary NEW elfa utility is an innovative system of hooks and holders that can be used with elfa Ventilated Shelves and Drawers to transform your garage, utility room and mudroom into an organized space. When used in conjunction with an elfa Track, the hooks are infinitely adjustable. Most elfa utility hooks can also be mounted directly to a stud to hold up to 50 lbs. (wood screws are included.) You won't find a heavy-duty storage system that's as flexible and hardworking as elfa utility!

To Install on an elfa Track:

- Insert tab into lower lip of Track (Figure A)
- Insert top of hook under top lip of Track
- Pull hook down until it clicks into place (Figure B)



Wall-Mounted Installation:

- You must locate a stud for wall-mounted installation
- Drill 1/8" pilot holes the length of the screws
- Tighten with #2 Philips screwdriver (Figure C)

