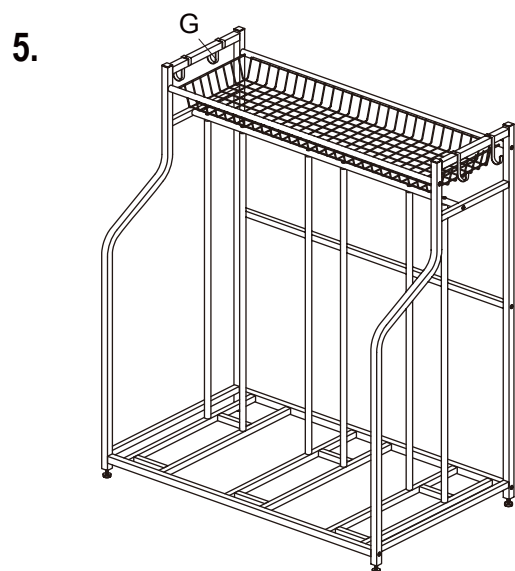
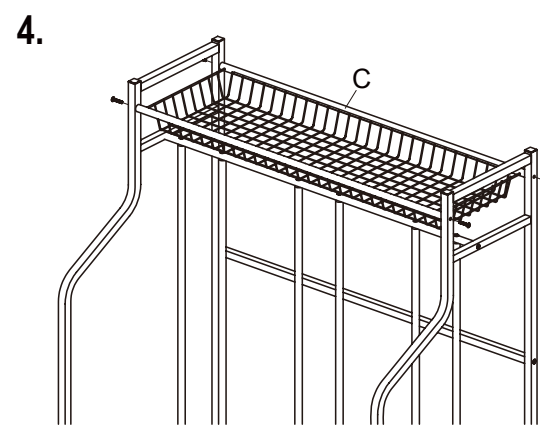
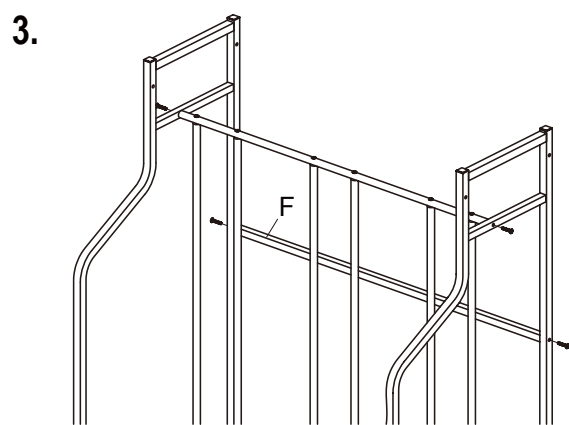
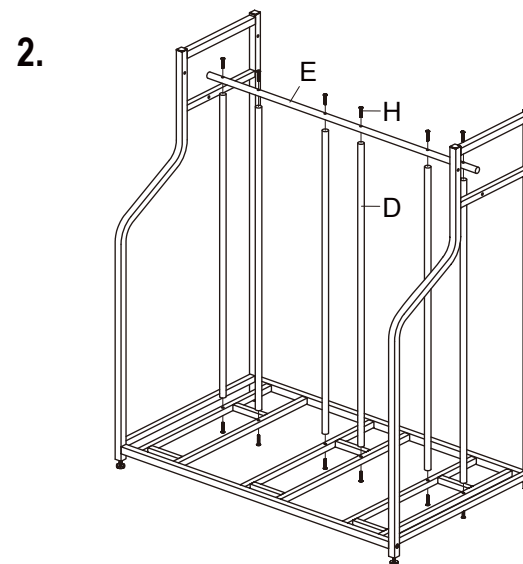
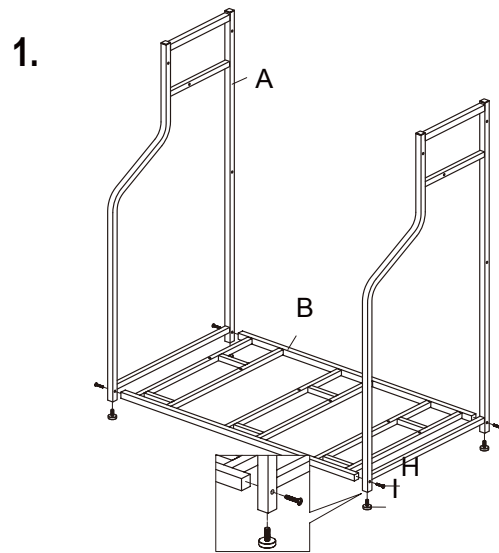
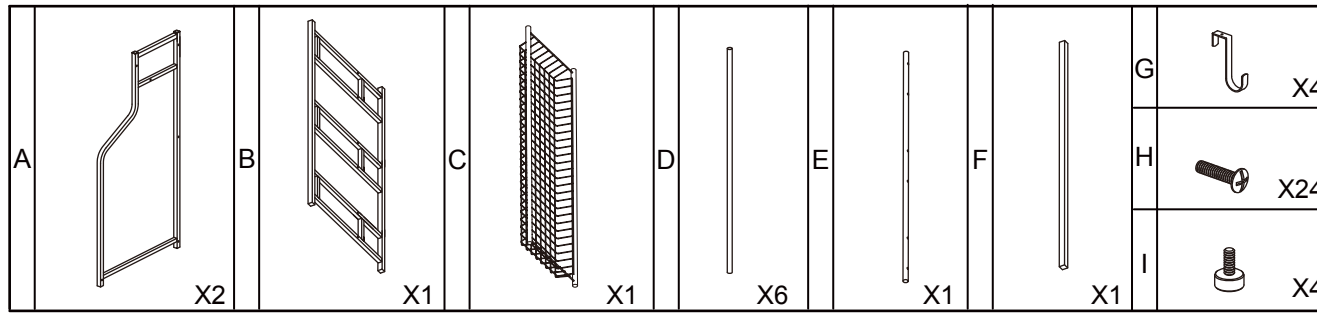


ASSEMBLY INSTRUCTIONS

Heavy-Duty Triple Bike Rack Black



VR50685V
AFTER SALES SUPPORT

888-965-8169

acs@americancustomerservice.com

TESTRITE U2id 540 File Information	Division:storage File NO.: 201803042
Client: TCS Client ID:T101536	Item NO.:VR50685V—IM
Packaging Description:IM	Package Size: 29.7x21cm
Email: art-sha-design@testritigroup.com	Finish Date:
Colors: CMYK	Cutter die cut
	Signed by Applicant & Sales Division (201803042-MUS for All Items)

Packaging Design Implement Confirmation	
Sales Division	Design Division
	Gino
Applicant	Designer
Merry	Sara