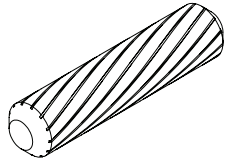
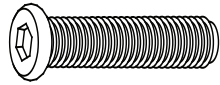


A	Top Panel	1
B	Right Side Panel	1
C	Left Side Panel	1
D	Partition	1
E	Back Panel	1
F	Bottom Panel	1
G	Front Panel	1

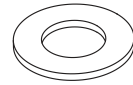
Please review the hardware listed on the next page as well as individual components of this product. As you unpack and prepare for assembly, place the contents on a carpeted or padded area to protect them from damage.



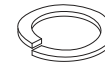
**H1 x 16
WOODEN
DOWEL**



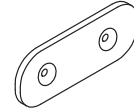
**H2 x 14
BOLT**



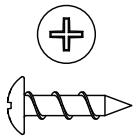
**H3 x 14
WASHER**



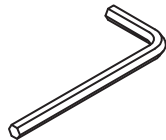
**H4 x 14
LOCK
WASHER**



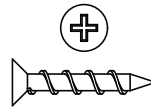
**H5 x 2
MENDING
PLATE**



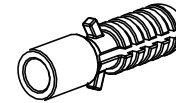
**H6 x 4
PAN HEAD
SCREW**



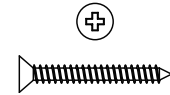
**H7 x 1
ALLEN
WRENCH**



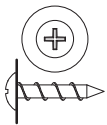
**H8 x 2
FLAT HEAD
SCREW**



**H9 x 1
WALL
ANCHOR**



**H10 x 1
WALL
SCREW**



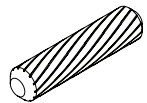
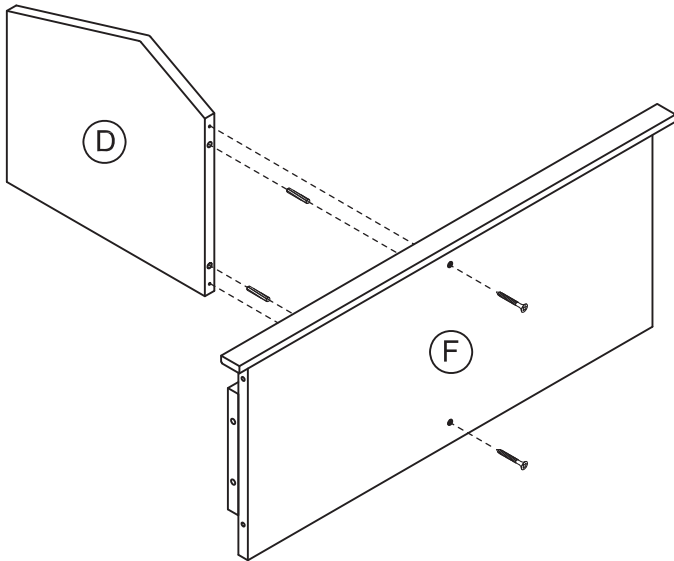
**H11 x 1
TRUSS HEAD
SCREW**



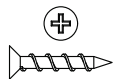
**H12 x 1
WALL
STRAP**

TOOLS REQUIRED: PHILLIPS SCREWDRIVER | HAMMER

STEP 1

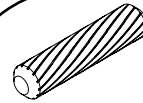
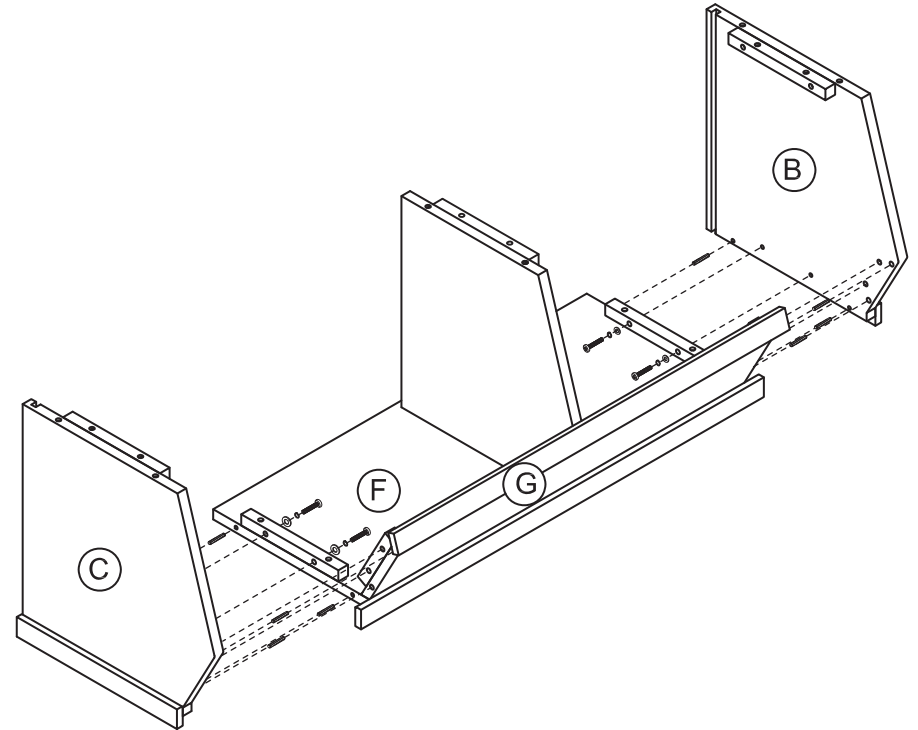


H1 x 2
WOODEN
DOWEL

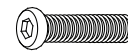


H8 x 2
FLAT HEAD
SCREW

STEP 2



H1 x 8
WOODEN
DOWEL



H2 x 8
BOLT



H4 x 8
LOCK
WASHER

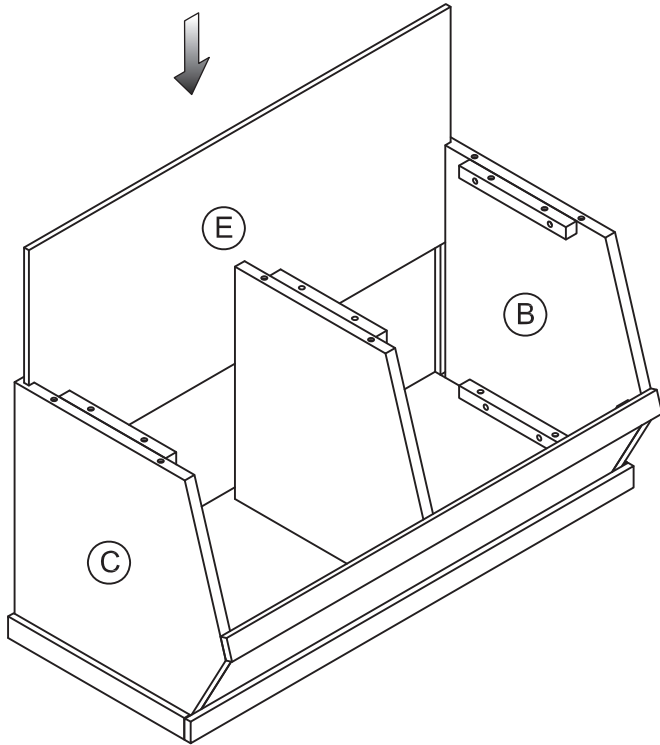


H3 x 8
WASHER

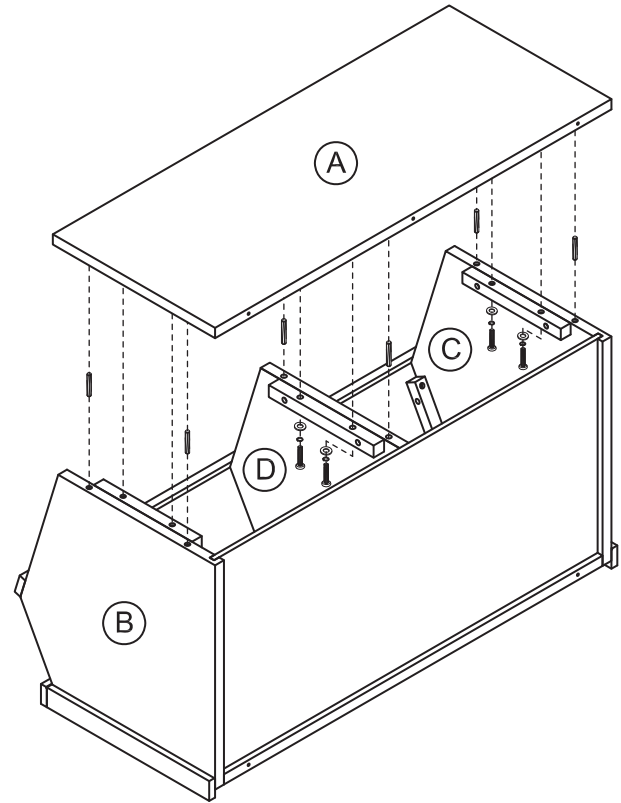


H7 x 1
ALLEN
WRENCH

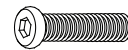
STEP 3



STEP 4



H1 x 6
WOODEN
DOWEL



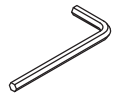
H2 x 6
BOLT



H4 x 6
LOCK
WASHER



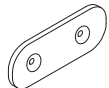
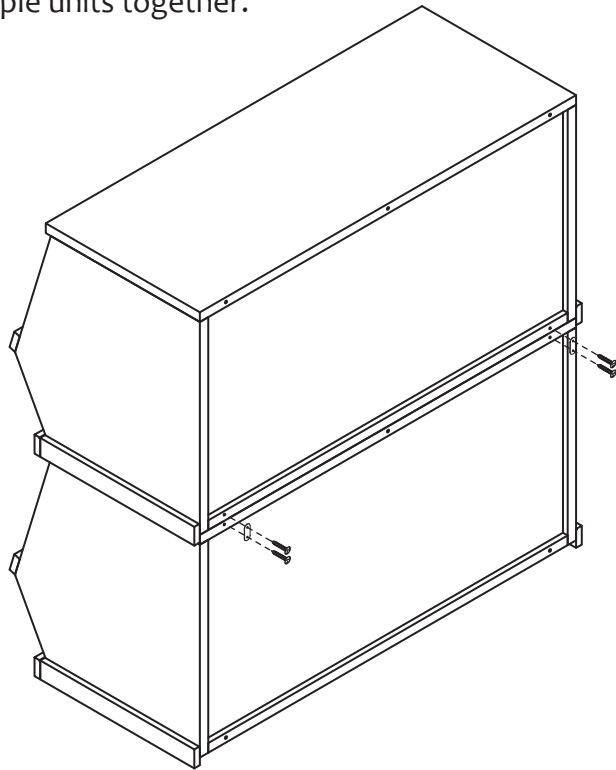
H3 x 6
WASHER



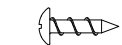
H7 x 1
ALLEN
WRENCH

STEP 5

Use provided mending plates to fix multiple units together.

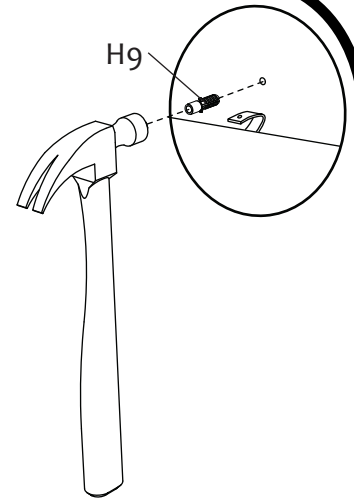


H5 x 2
MENDING
PLATE

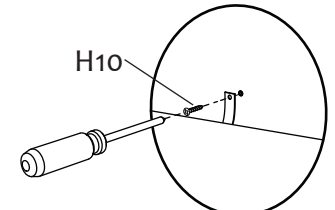
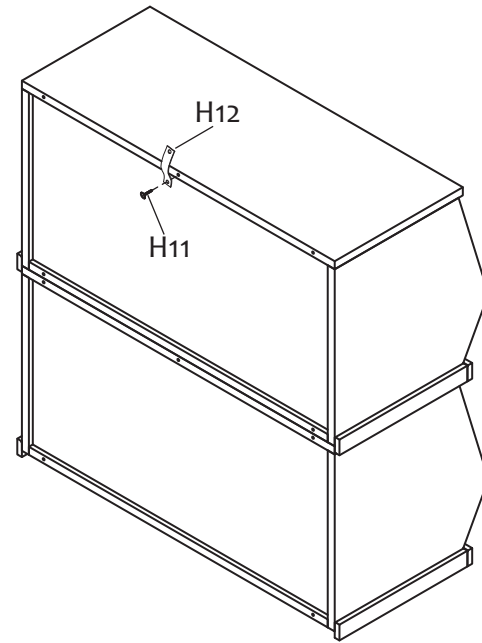


H6 x 4
PAN HEAD
SCREW

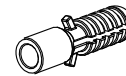
STEP 6



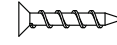
Position against wall
Mark position of strap hole
on wall
Drill 1/4" hole
tap in wall anchor



Fasten anti-tip strap with
wall screw provided



H9 x 1
WALL
ANCHOR



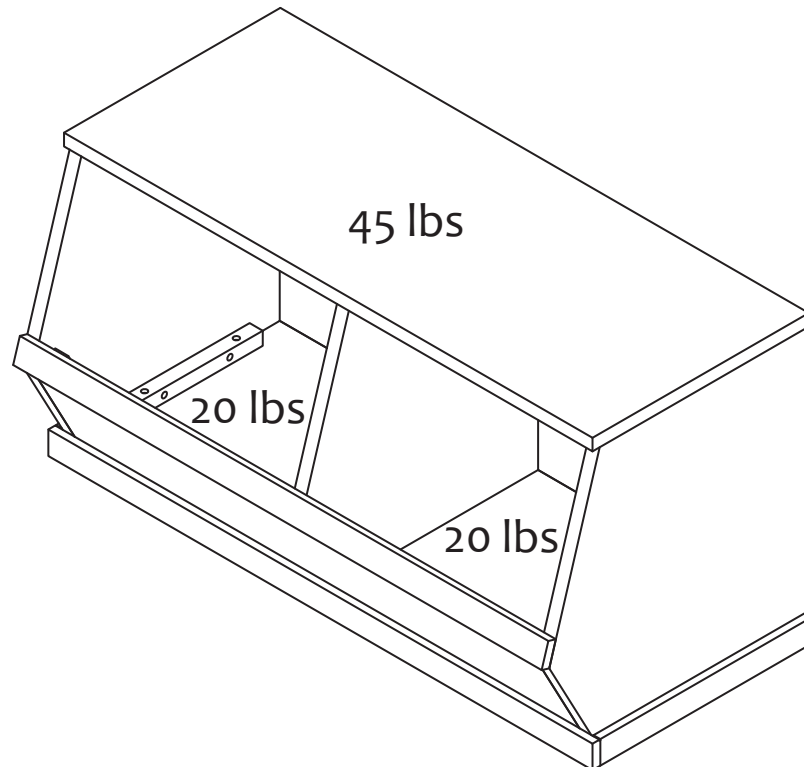
H10 x 1
WALL
SCREW



H11 x 1
TRUSS HEAD
SCREW



H12 x 1
WALL
STRAP



WARNING: Do not exceed the recommended weight limits on the designated panels. Exceeding these limits could cause sagging, possibly resulting in failure of product or bodily injury. Severe injury may occur if furniture tips over. Never allow children to climb or play on this product. Place heaviest items on lower shelves and as far back as possible, never overload product.

CARE INSTRUCTIONS: Clean only with damp cloth and water. Keep hot objects away from the panel. Do not place rubber products in/on bin for extended periods of time. It may cause moisture to collect and compromise the integrity of the paint.