
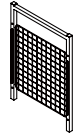

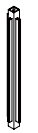

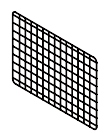
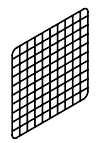
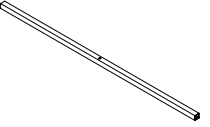
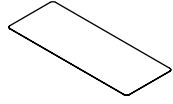
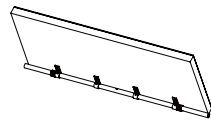




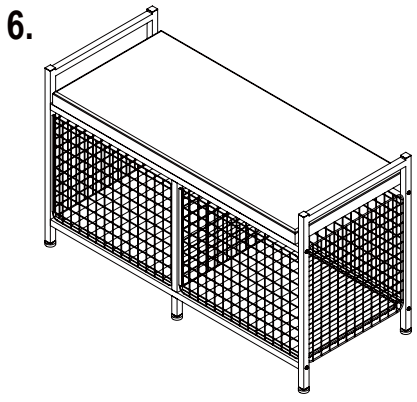
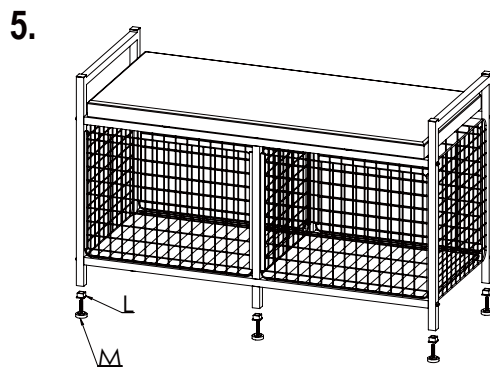
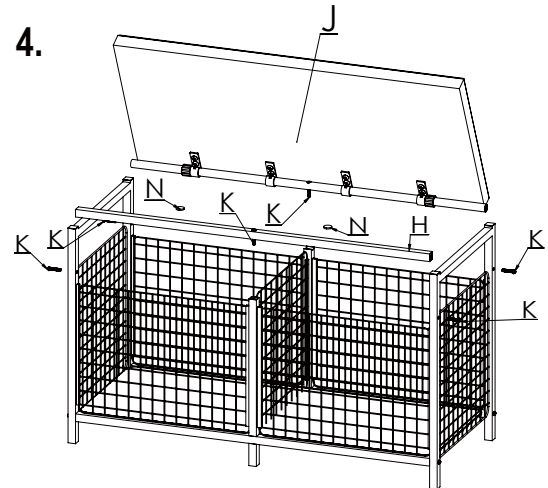
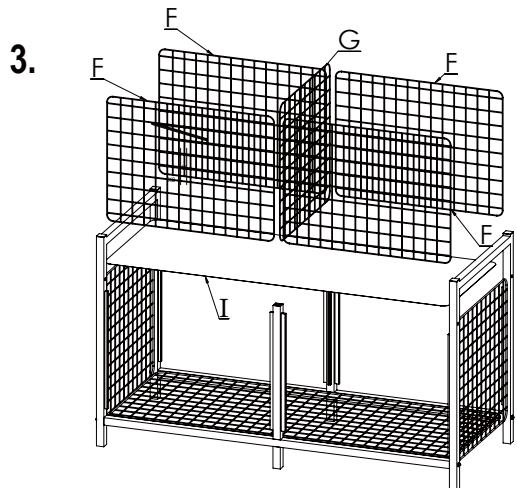
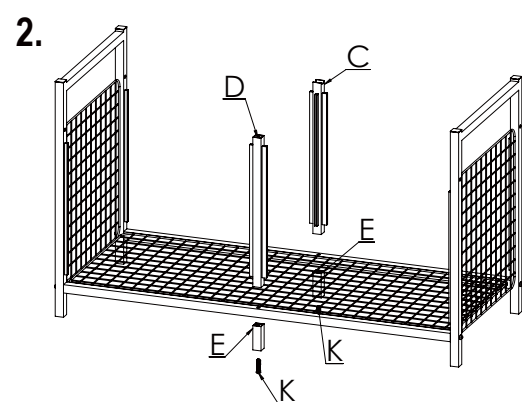
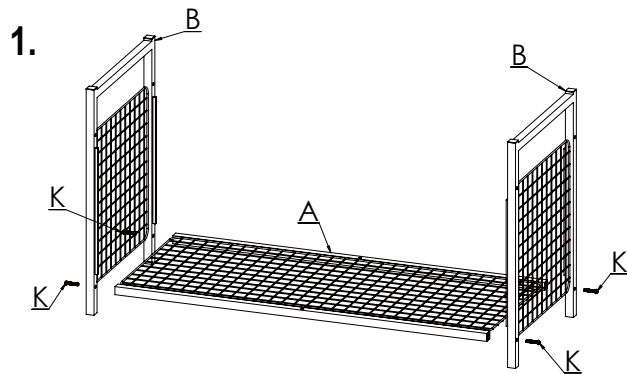


ASSEMBLY INSTRUCTIONS

Heavy-Duty Storage Bench Black

⚠ CAUTION -BE AWARE OF PINCHING HANDS WHEN OPENING THE CUSHION DECK.

A  X1	B  X2	C  X1	D  X1	E  X2	F  X4
G  X1	H  X1	I  X1	J  X1		
K  X12	L  X6	M  X6	N  X2		



VR50684V
AFTER SALES SUPPORT
☎ 888-965-8169
✉ acs@americancustomerservice.com

TESTRITE U2id 540 File Information	Division:storage File NO.: 201803042	Packaging Design Implement Confirmation	
Client: TCS Client ID:T101536	Item NO.:VR50684V	Sales Division	Design Division
Packaging Description:IM	Package Size: 29.7x21cm	Gino	
Email: art-sha-design@testritegroup.com	Finish Date:	Applicant	Designer
Colors: CMYK	Signed by Applicant & Sales Division (201803042-MUS for All Items)	Merry	Sara