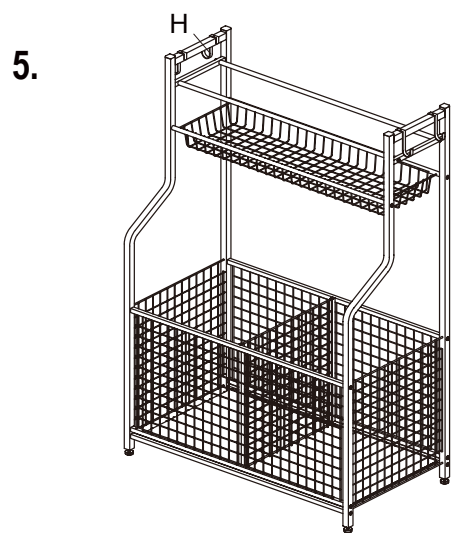
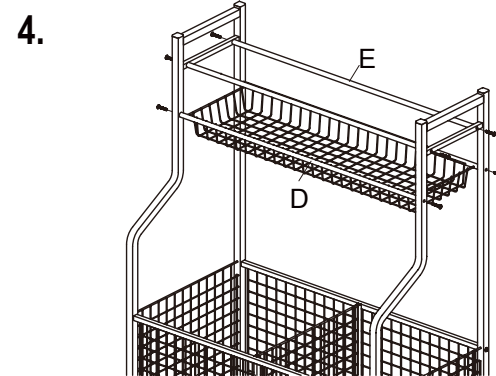
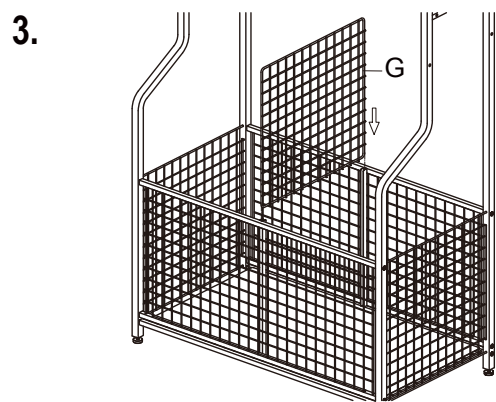
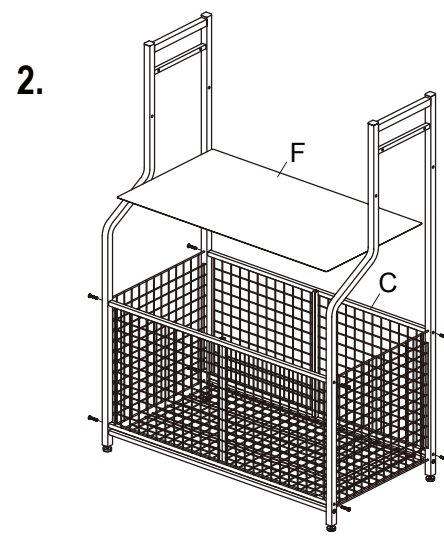
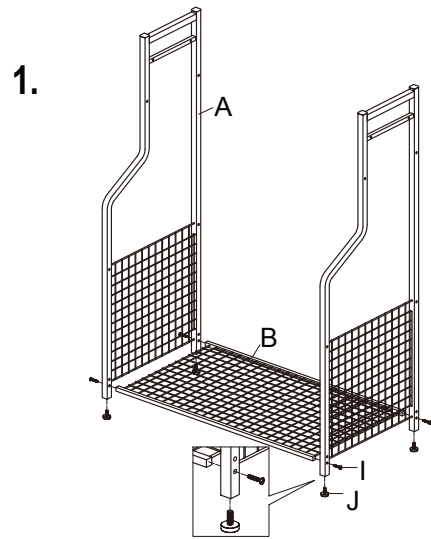


ASSEMBLY INSTRUCTIONS

Heavy-Duty Sports Storage Rack Black

A	B	C	D	E	F	G
X2	X1	X2	X1	X2	X1	X1
H	I	J				
X4	X20	X4				



VR50686V

AFTER SALES SUPPORT

888-965-8169

acs@americancustomerservice.com

TESTRITE U2id 540 File Information		Division:storage	File NO.: 201803042	Packaging Design Implement Confirmation	
Client: TCS	Client ID:T101536	Item NO.:VR50686V—IM		Sales Division	Design Division
Packaging Description:IM		Package Size: 29.7x21cm		Gino	
Email: art-sha-design@testritegroup.com		Finish Date:		Applicant	Designer
Colors: CMYK	Cutter die cut	Signed by Applicant & Sales Division (201803042-MUS for All Items)		Merry	Sara