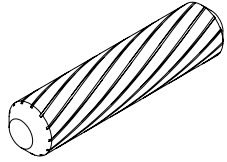
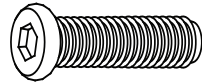


A	Upper Left Frame	1
B	Upper Right Frame	1
C	Lower Left Frame	1
D	Lower Right Frame	1
E	Shelf 1	1
F	Shelf 2	1
G	Shelf 3	1
H	Bin 1	1
I	Bin 2	1

Please review the hardware listed on the next page as well as individual components of this product. As you unpack and prepare for assembly, place the contents on a carpeted or padded area to protect them from damage.



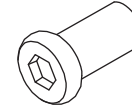
**H1 x 26
WOODEN
DOWEL**



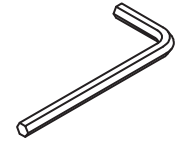
**H2 x 26
SMALL
BOLT**



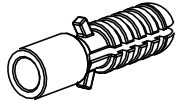
**H3 x 4
LARGE
BOLT**



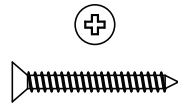
**H4 x 4
BINDING
SCREW**



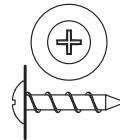
**H5 x 2
ALLEN
WRENCH**



**H6 x 1
WALL
ANCHOR**



**H7 x 1
FLAT HEAD
SCREW**



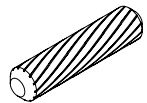
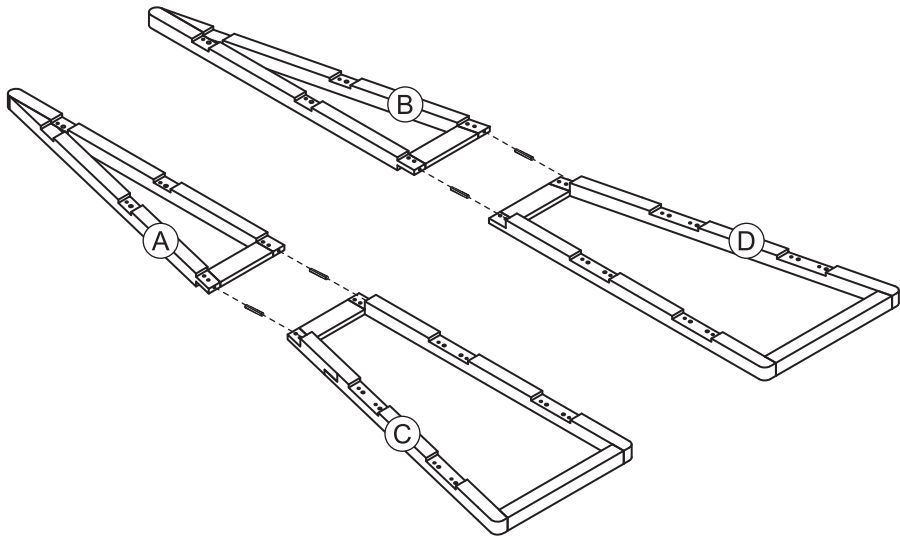
**H8 x 1
TRUSS HEAD
SCREW**



**H9 x 1
WALL
STRAP**

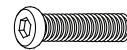
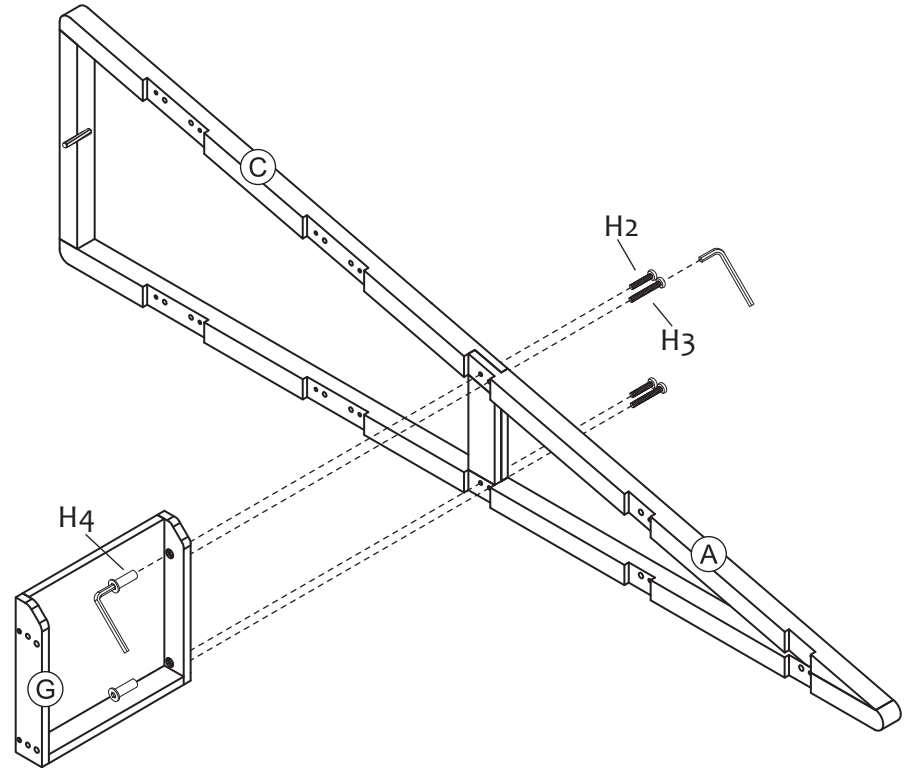
TOOLS REQUIRED: PHILLIPS SCREWDRIVER | HAMMER

STEP 1



H1 x 4
WOODEN
DOWEL

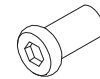
STEP 2



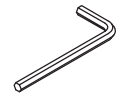
H2 x 2
SMALL
BOLT



H3 x 2
LARGE
BOLT



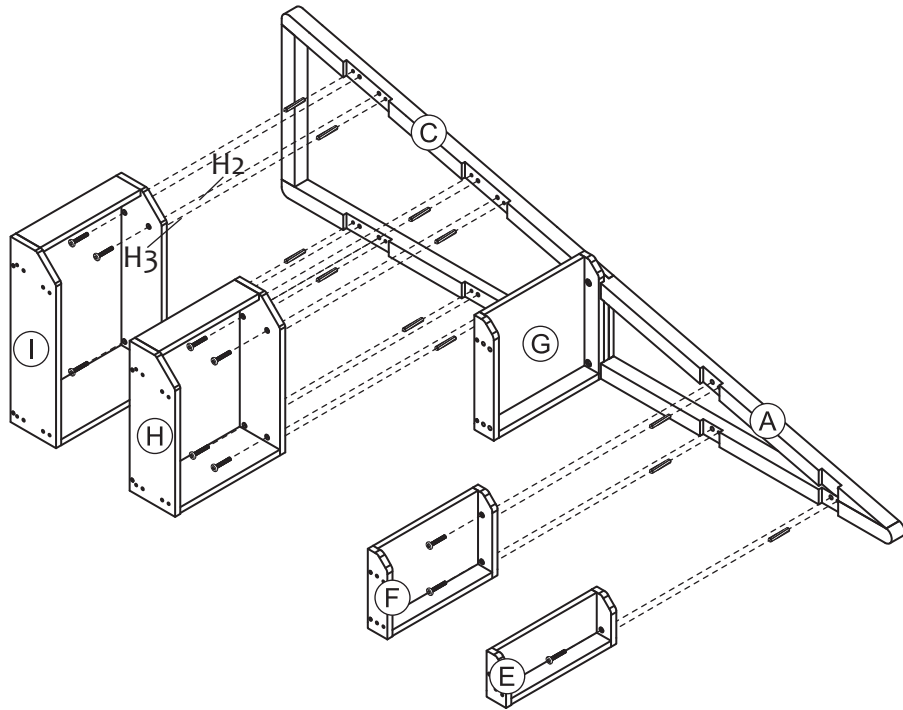
H4 x 2
BINDING
SCREW



H5 x 2
ALLEN
WRENCH

STEP 3

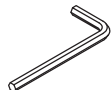
Ensure all dowels are installed before tightening bolts.



**H1 x 11
WOODEN
DOWEL**



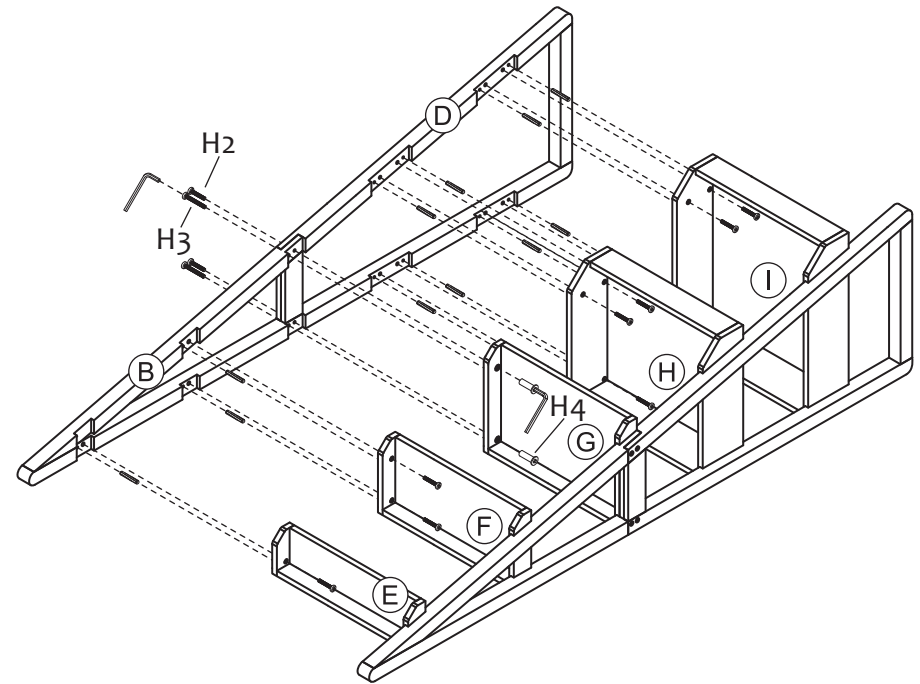
**H2 x 11
SMALL
BOLT**



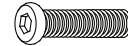
**H5 x 1
ALLEN
WRENCH**

STEP 4

Ensure all dowels are installed before tightening bolts.



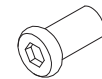
**H1 x 11
WOODEN
DOWEL**



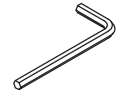
**H2 x 13
SMALL
BOLT**



**H3 x 2
LARGE
BOLT**

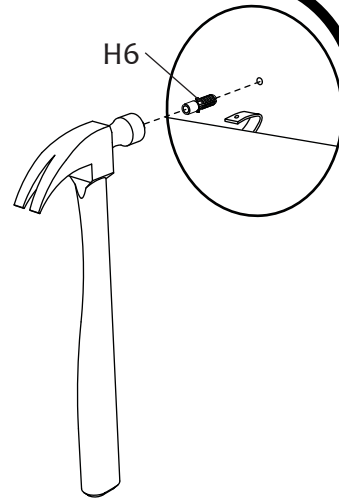
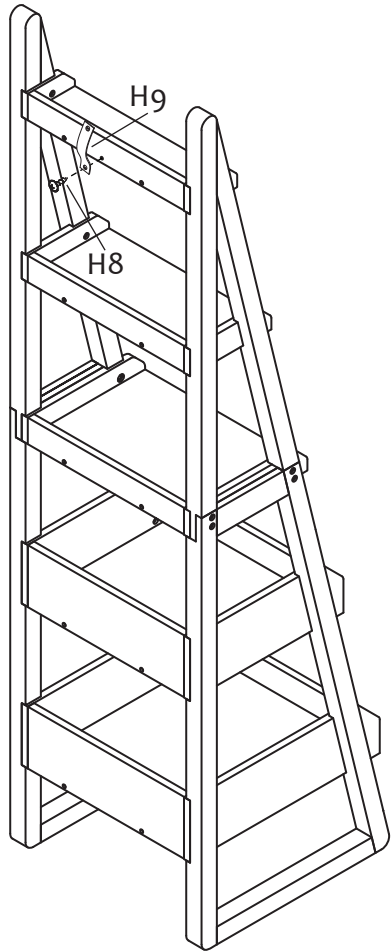


**H4 x 2
BINDING
SCREW**

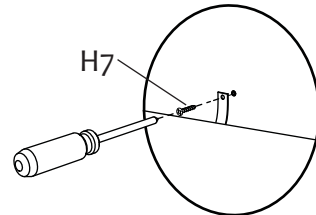


**H5 x 2
ALLEN
WRENCH**

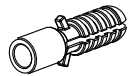
STEP 5



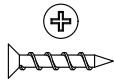
Position against wall
Mark position of strap hole
on wall
Drill 1/4" hole
tap in wall anchor



Fasten anti-tip strap with
wall screw provided



H6 x 1
WALL
ANCHOR



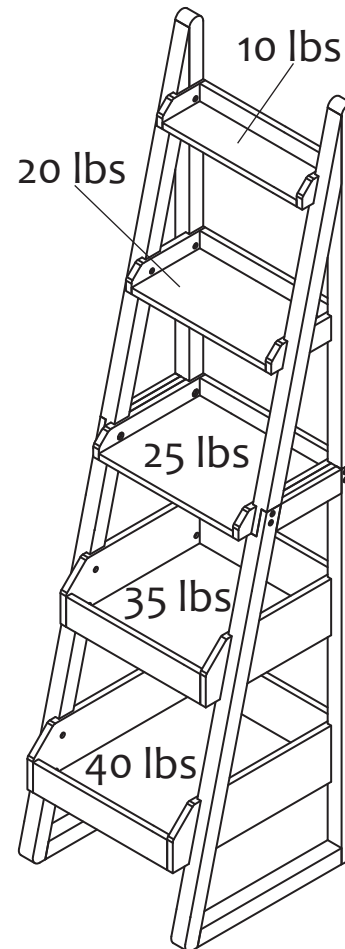
H7 x 1
FLAT HEAD
SCREW



H8 x 1
TRUSS HEAD
SCREW



H9 x 1
WALL
STRAP



WARNING: Do not exceed the recommended weight limits on the designated panels. Exceeding these limits could cause sagging, possibly resulting in failure of product or bodily injury. Severe injury may occur if furniture tips over. Never allow children to climb or play on this product. Place heaviest items on lower shelves and as far back as possible, never overload product.