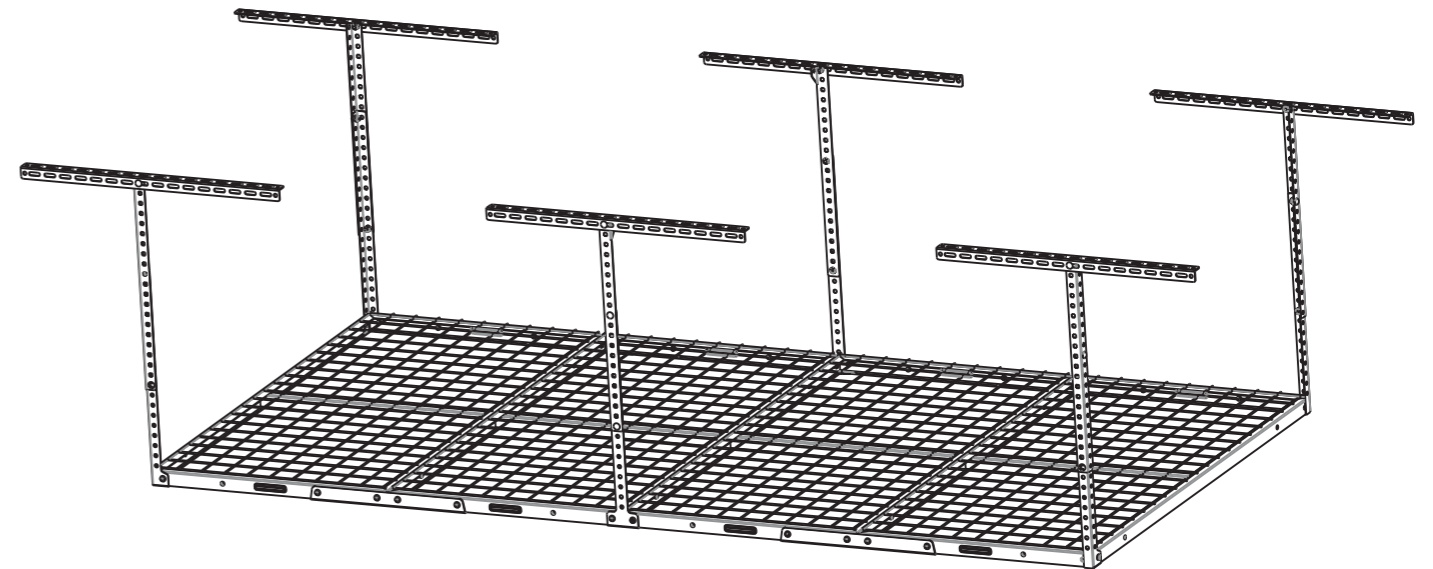



Item No. 10098415

Installation Guide


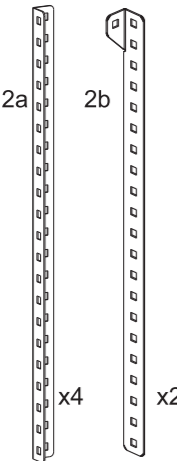
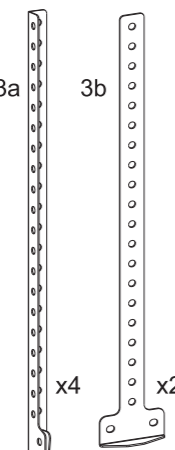

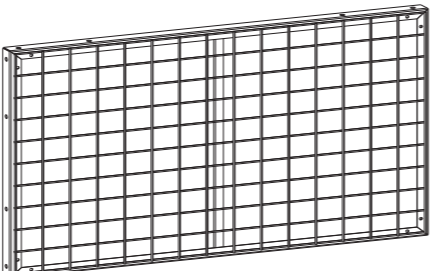


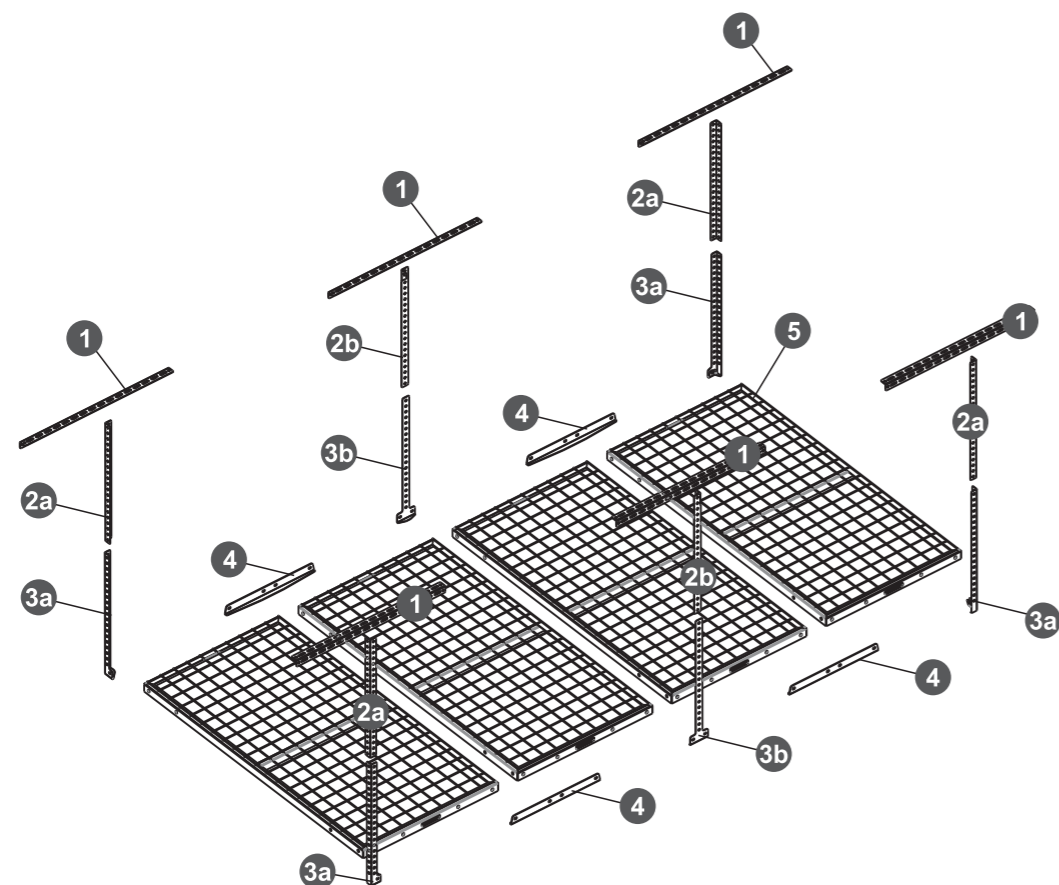

max
600 lbs
270 kg


560 - 1010 mm
22 - 40 in










Package Contents

(A) Parts Included

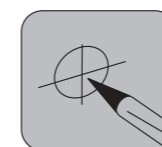
				
Ceiling Bracket x6	2a. L-Shaped Upper Vertical Post x4 2b. Upright Upper Vertical Post x2	3a. L-Shaped Lower Vertical Post x4 3b. Upright Lower Vertical Post x2	Connecting Plate x4	Wire Grid x4



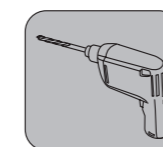
(B) Screw Set

								
St8.0 x 60 Tapping Screw (12 pcs/pack)	M8 x 15 mm Bolt (12 pcs/pack)	M8 Nut (12 pcs/pack)	Socket Wrench (1 pc)	5x5 mm Hex Key (1 pc)	M8 x 15 mm Bolt (6 pcs/pack)	M8 Nut (6 pcs/pack)	M8 x 10 mm Bolt (28 pcs/pack)	M8 x 10 Bolt (8 pcs/pack)

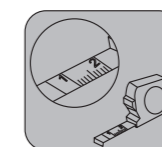
(C) Tools Needed for Assembly



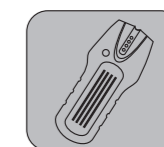
Pencil



Cordless Power Drill



Tape Measure



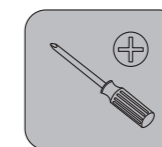
Stud Finder



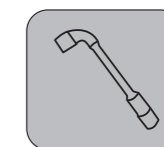
Ladder



Safety Glasses



Screw Driver



Wrench

Note: To fast the installation, we recommend to use electrical drill for tightening the screws and bolts.

SAFETYWARNING

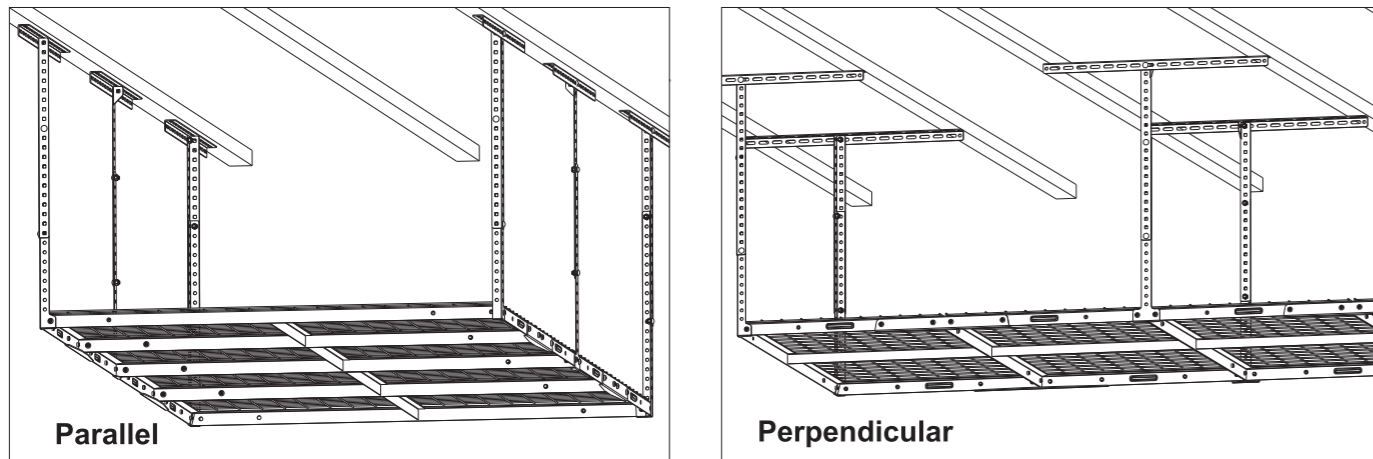
This product contains small items that could be a choking hazard if swallowed. Keep these items away from young children.

- Make sure these instructions are read and completely understood before attempting installation. If you are unsure of any part of this installation, please contact a professional installer for assistance.
- The ceiling must be capable of supporting the combined weight of the garage rack and your stuff. Otherwise, the structure and weight capacity of the ceiling must be reinforced.
- Proper tools must be used. A minimum of two people are required for this installation. Failure to install properly can result in property damage or serious injury.
- Check joint parts every two months, making sure the screws have not loosened.
- This product is designed to be installed on a wooden ceiling or solid concrete ceiling. Before installation, make sure that the weight capacity of the ceiling will support the combined load of the rack and your stuff. Never exceed the maximum load capacity of the product 600 lbs (270 kg), or else it may result in product damage or physical injury.

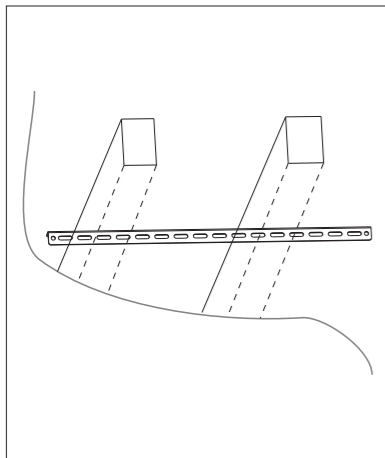
Note: This product is intended for indoor use only. Use of this product outdoors could lead to product damage or physical injury.

Installation Overview

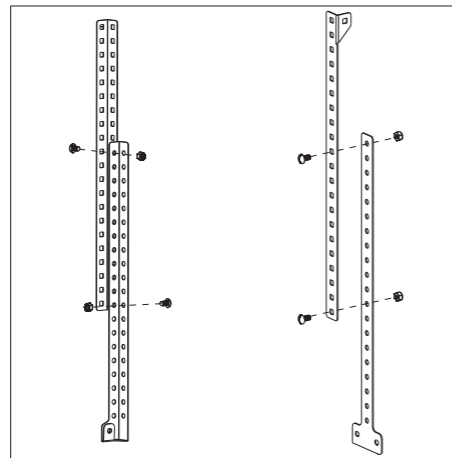
- A** Plan your ceiling rack installation location, determine orientation and verify spacing of joists. (Page 04)



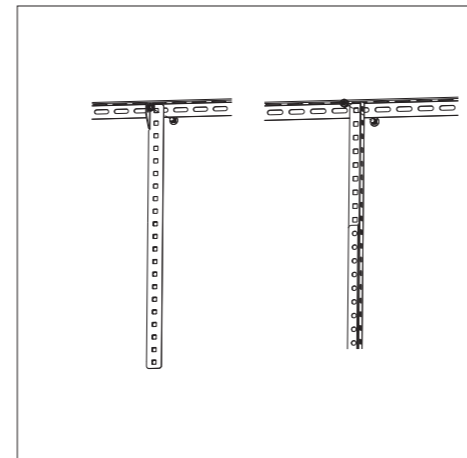
- B** Install ceiling brackets (Page 05-08)



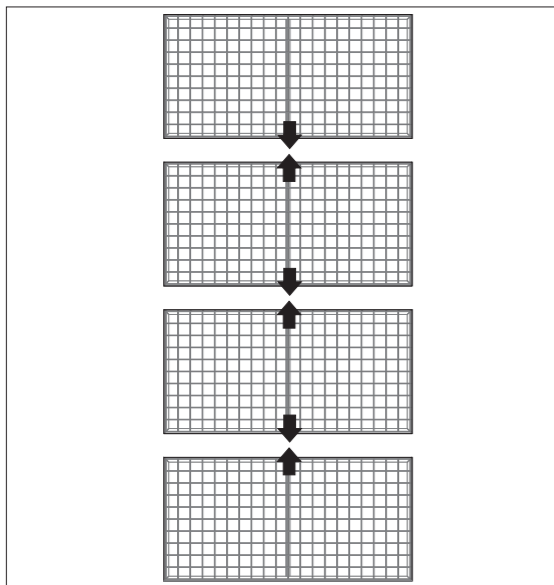
- C** Assemble the vertical posts (Page 09)



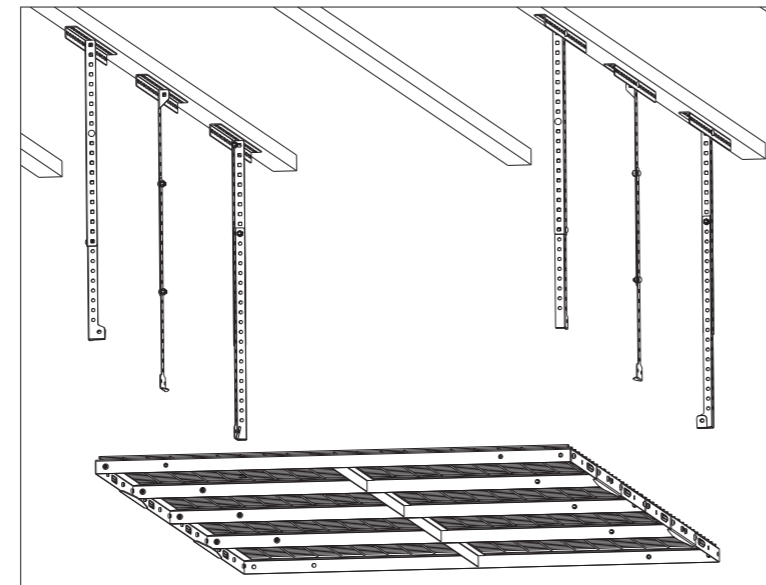
- D** Attach vertical posts to ceiling brackets (Page 10)



- E** Assemble the wire grids (Page 11-12)

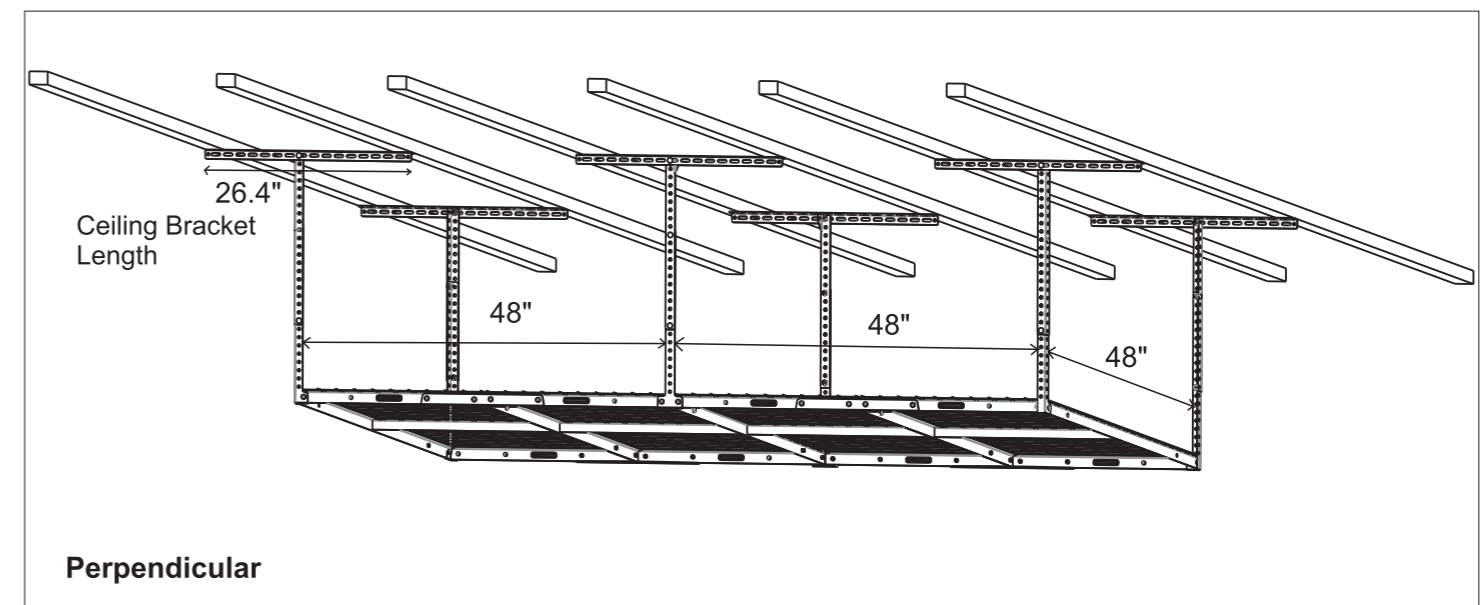
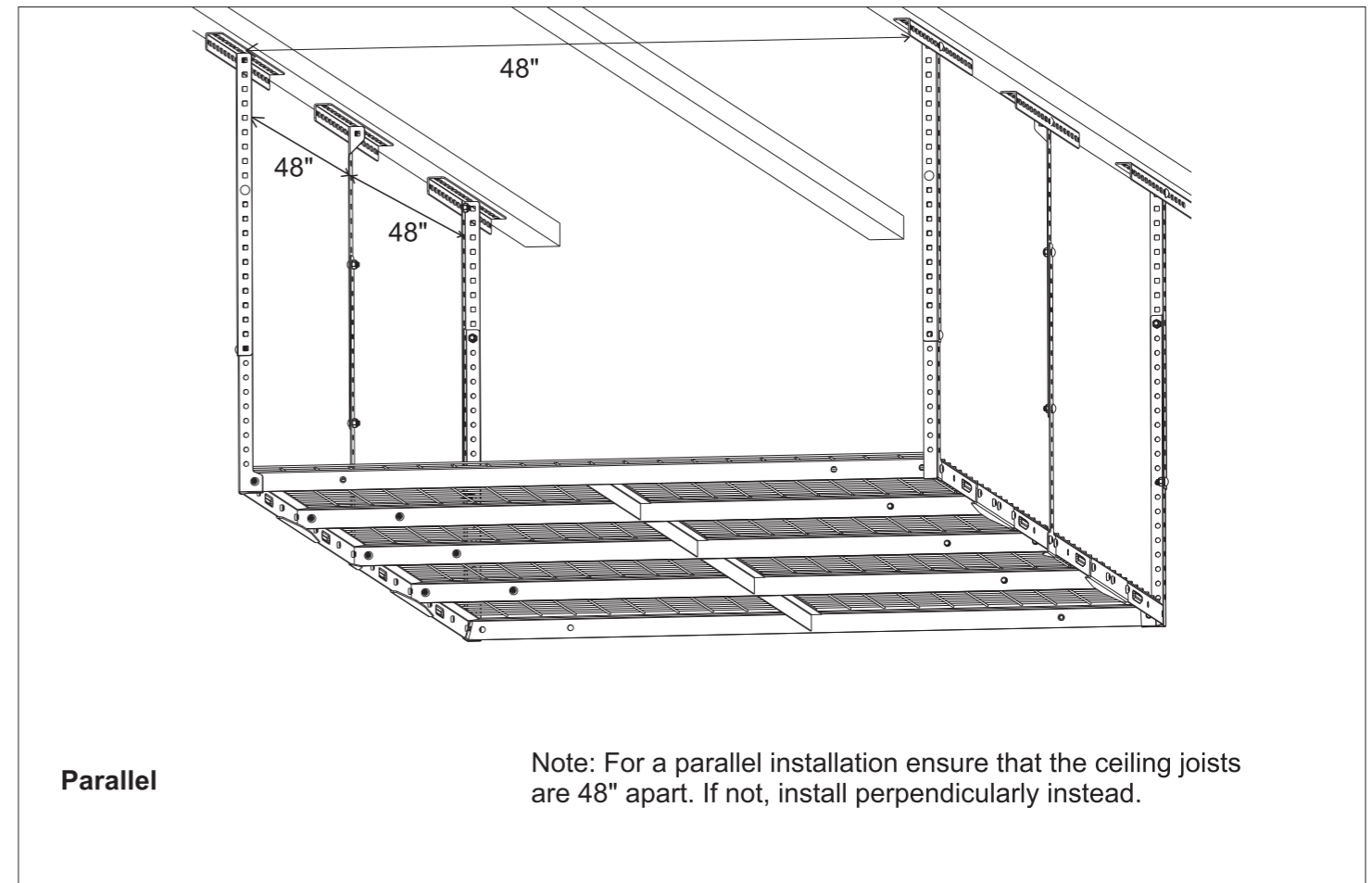


- F** Place and attach wire grid (Page 13)



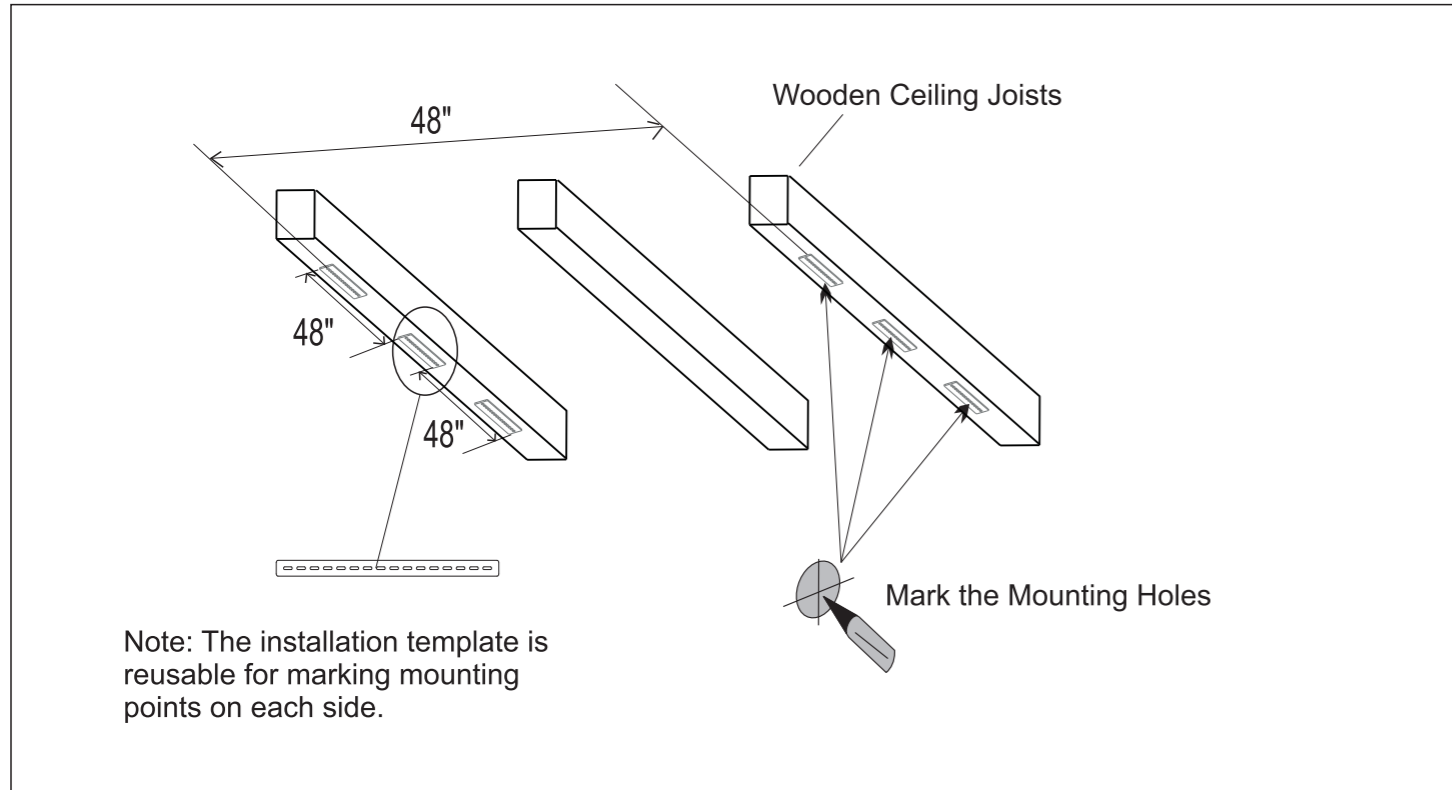
Step 1: Plan the Installation Location

Determine if your ceiling rack will be installed parallel or perpendicular to the direction of your ceiling joists. Make sure that the distance between the vertical posts are 48" apart. Use a stud finder to locate the joists if ceiling is finished with drywall.

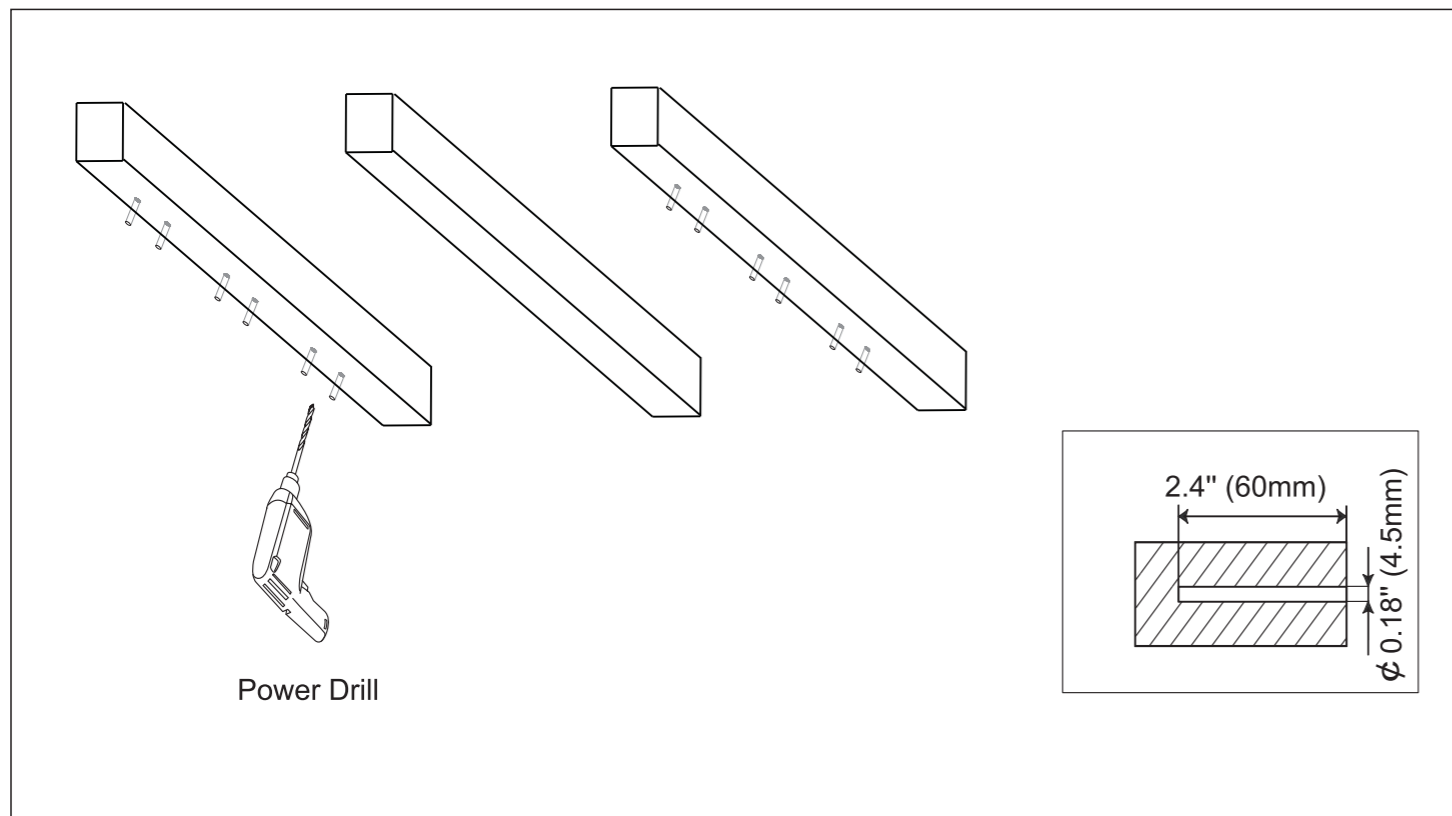


Step 2-A: Install Ceiling Brackets Perpendicularly

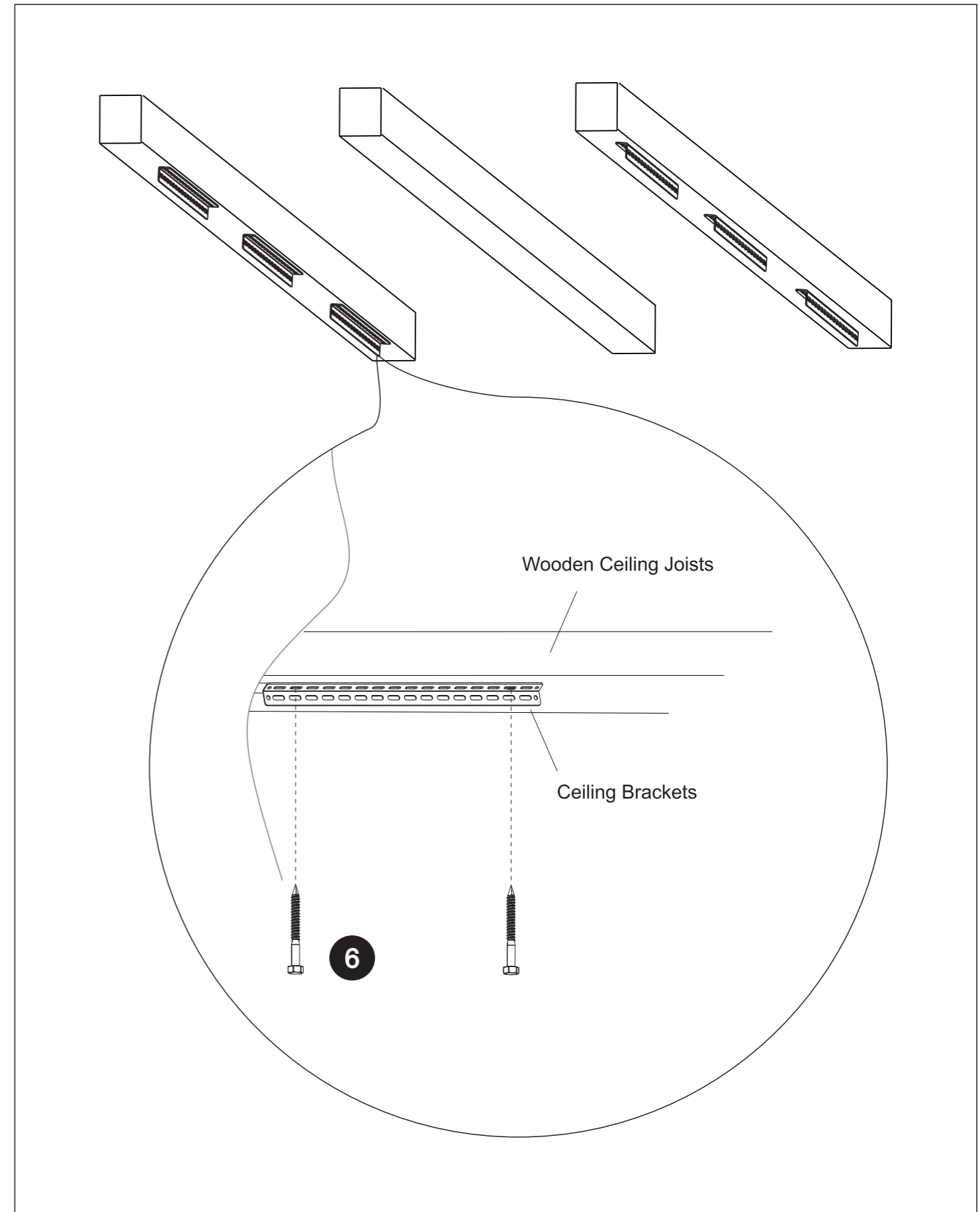
1. Use a stud finder to locate the wooden ceiling joists. Then use the installation template to mark the mounting points.



2. Drill a 2.4" (60mm) deep 0.18" (4.5mm) diameter pilot hole at the center of each marked point.

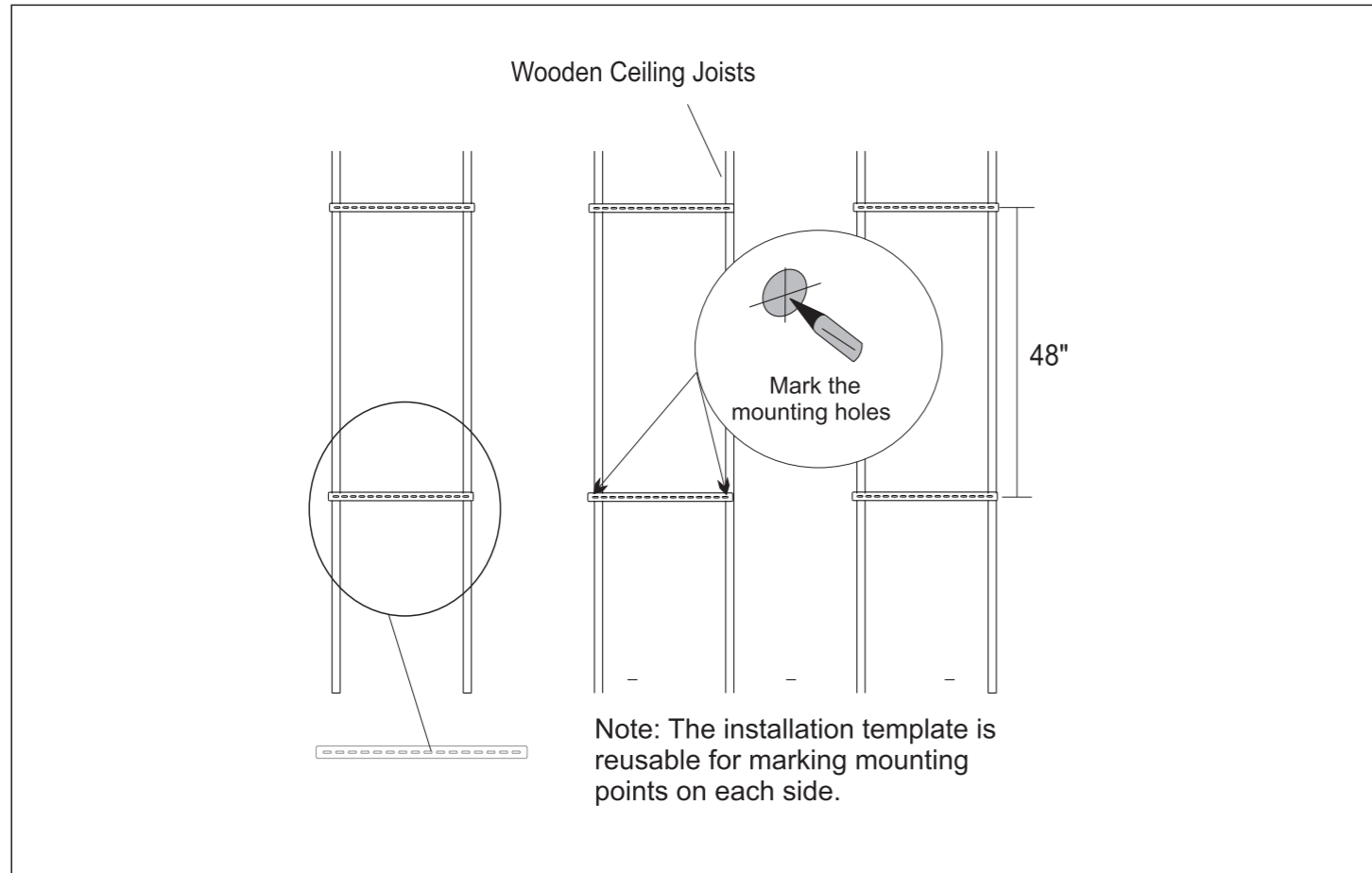


3. Install the ceiling brackets using tapping screws (6) and tighten with socket wrench.

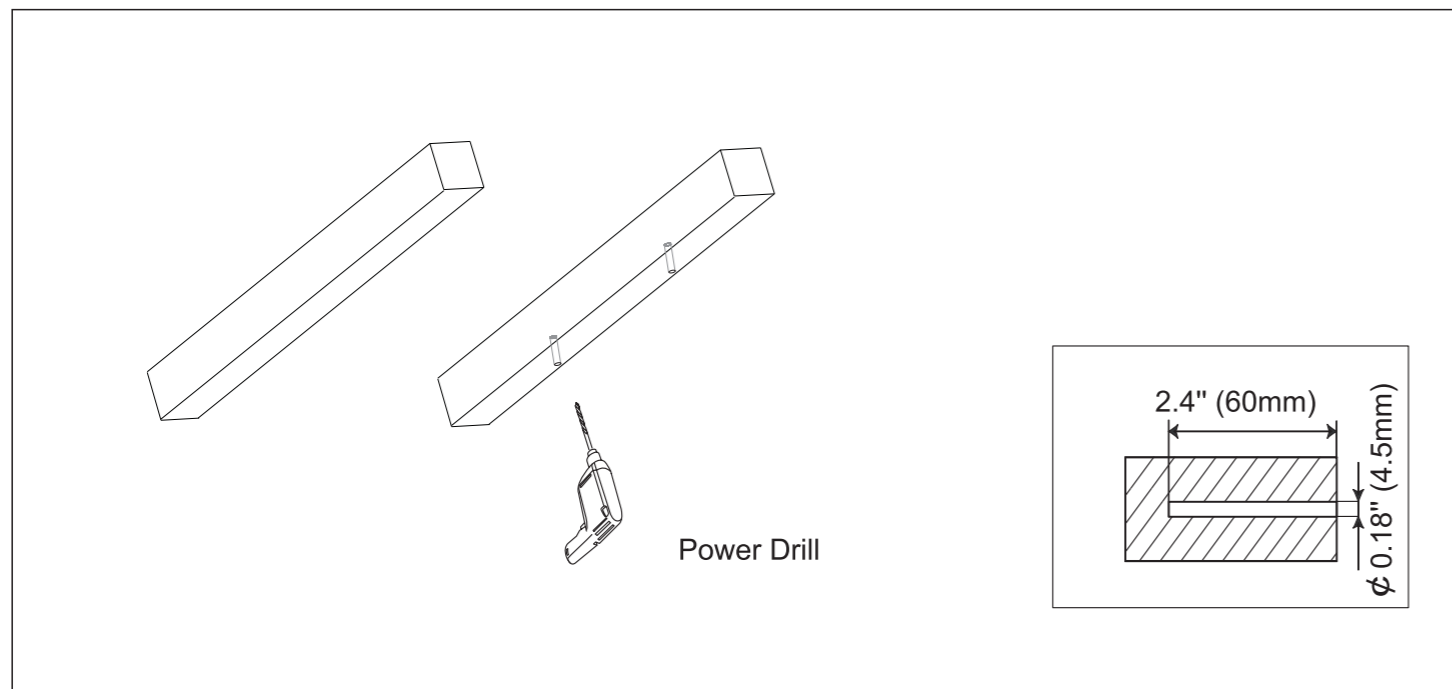


Step 2-B: Install Ceiling Brackets Perpendicularly

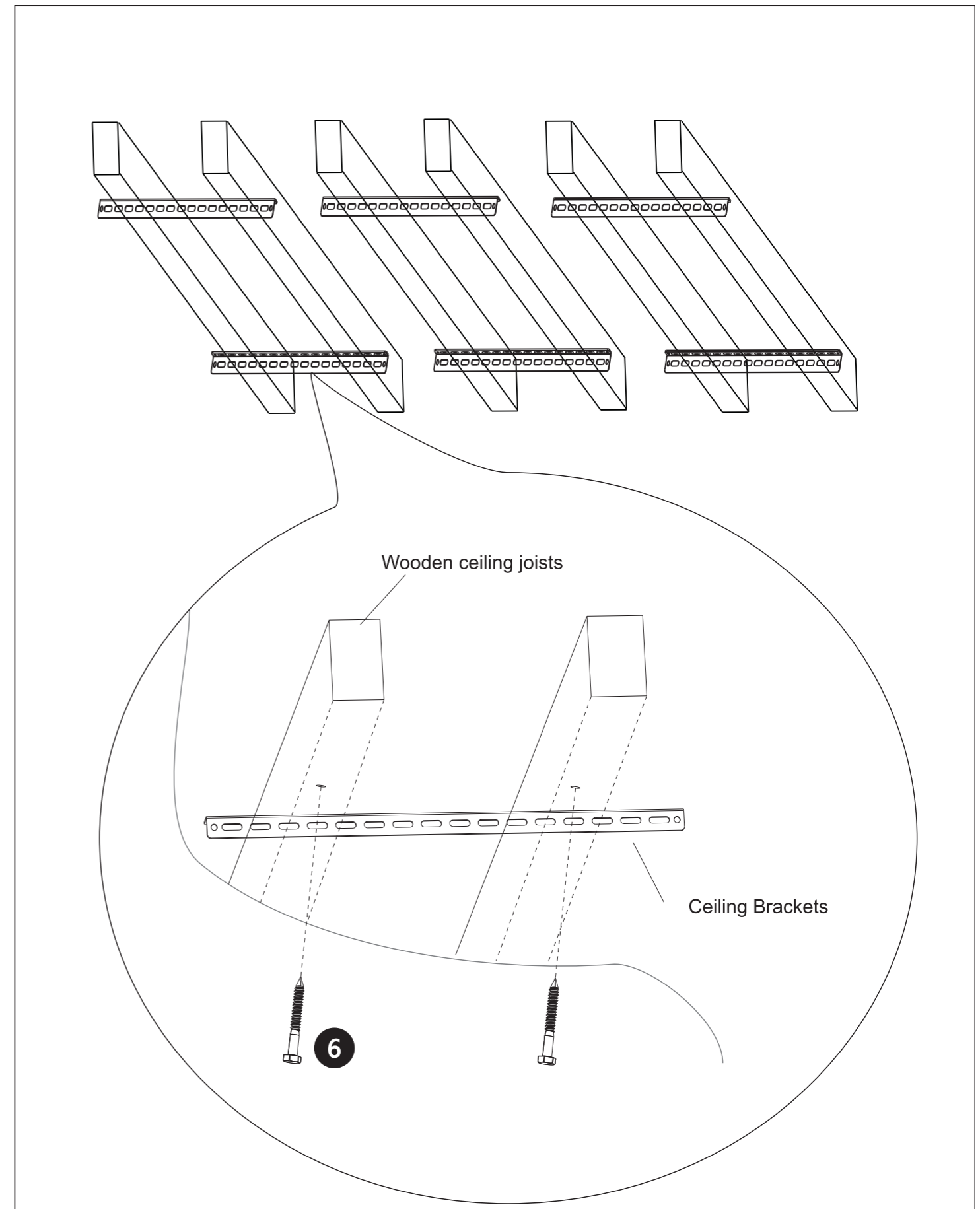
1. Use a stud finder to locate the wooden ceiling joists. Then use the installation template to mark the mounting points.



2. Drill a 2.4" (60mm) deep 0.18" (4.5mm) diameter pilot hole at the center of each marked point.

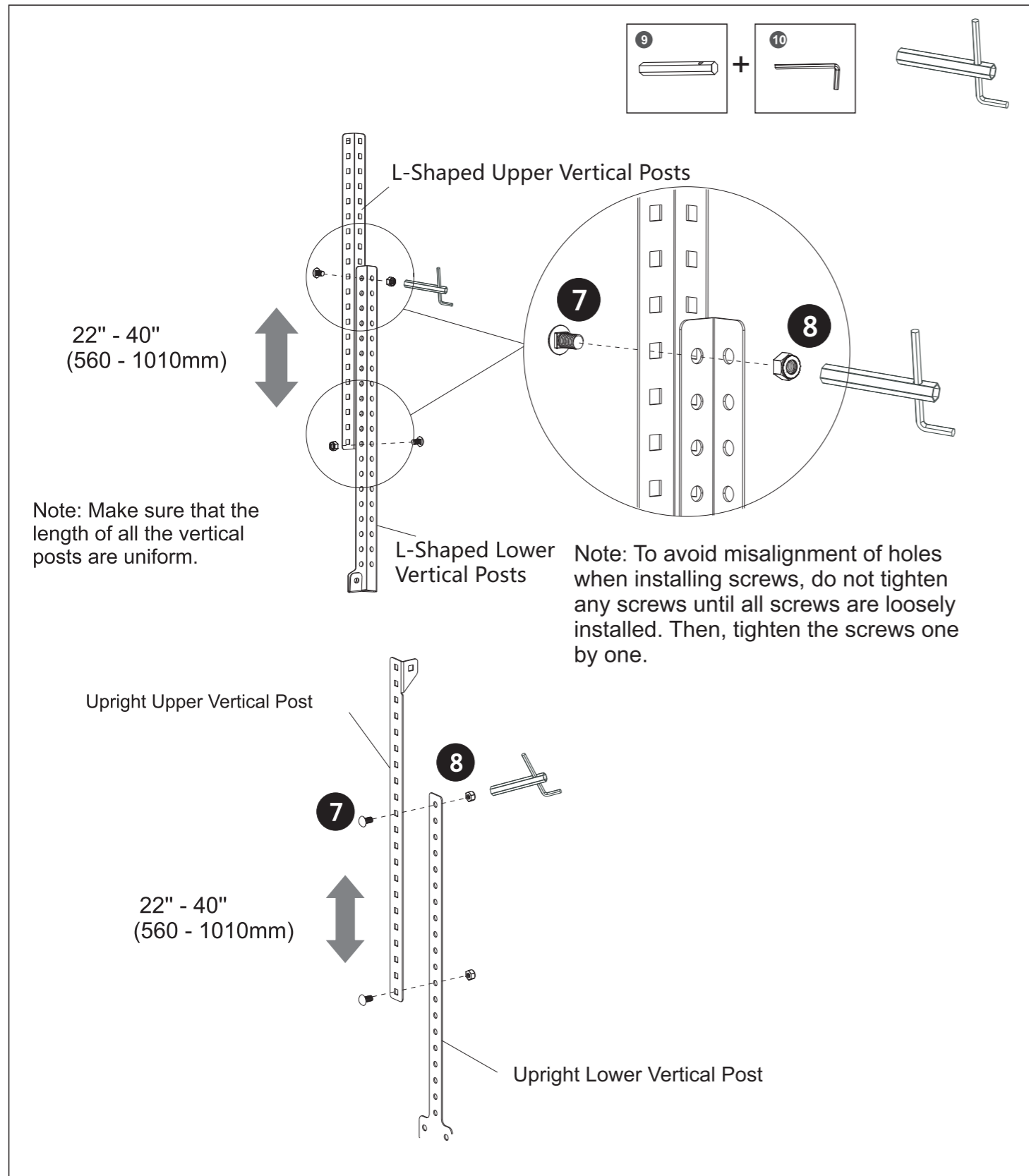


3. Install the ceiling brackets using tapping screws (6) and tighten with socket wrench.



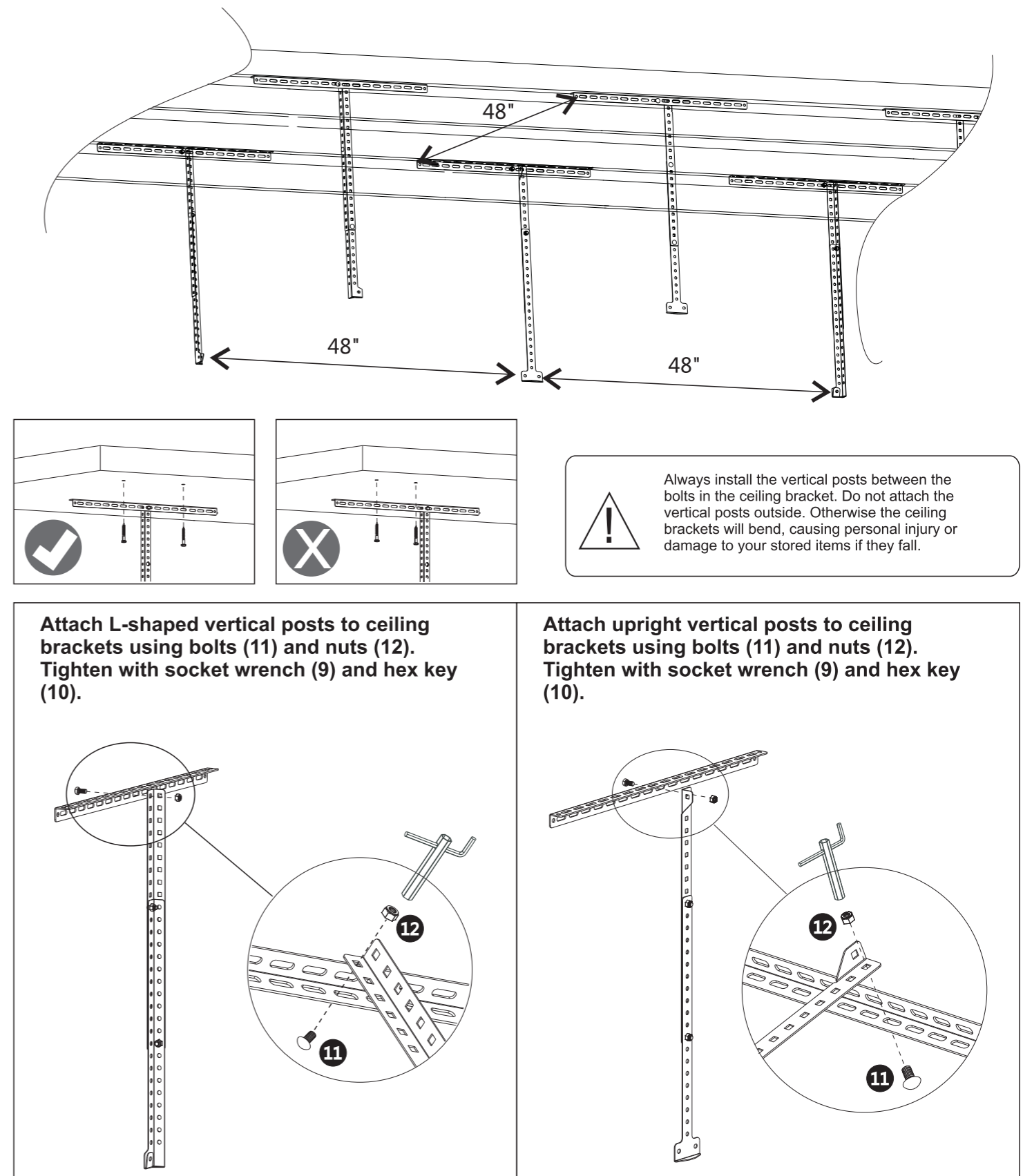
Step 3: Assemble the Vertical Posts

Determine hanging height and then attach L-shaped/upright upper vertical posts with L-Shaped/upright lower posts using bolts (7) and nuts (8). Tighten with socket wrench (9) and hex key (10).



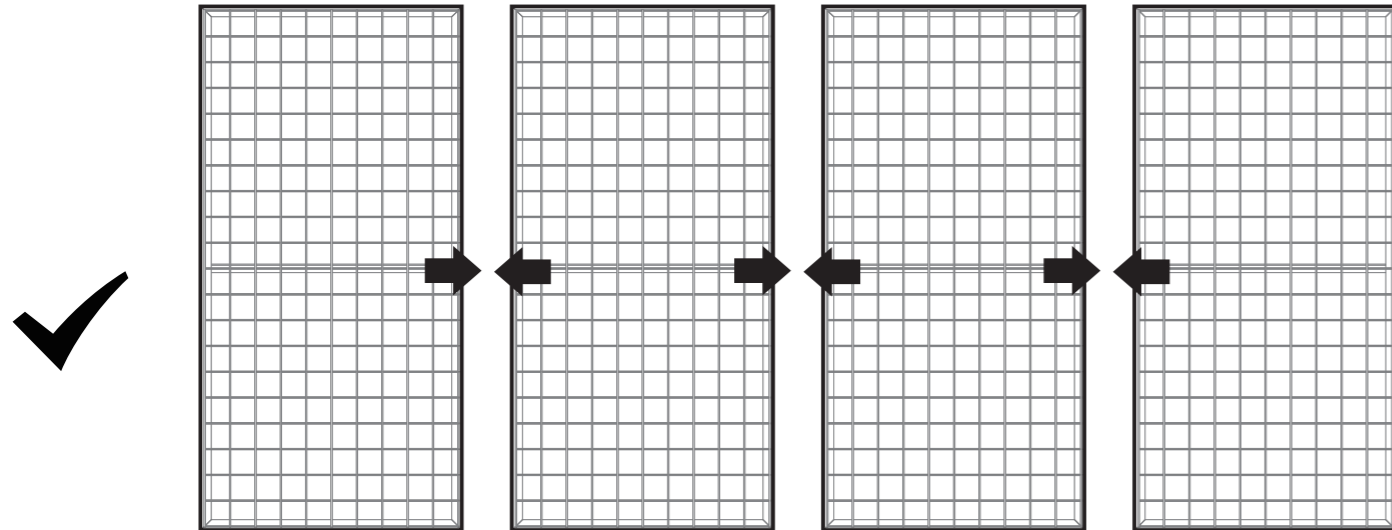
Step 4: Attach Vertical Posts to Ceiling Brackets

Attach vertical posts to ceiling brackets. Make sure the distance between the posts are completely consistent with the figure shown below.

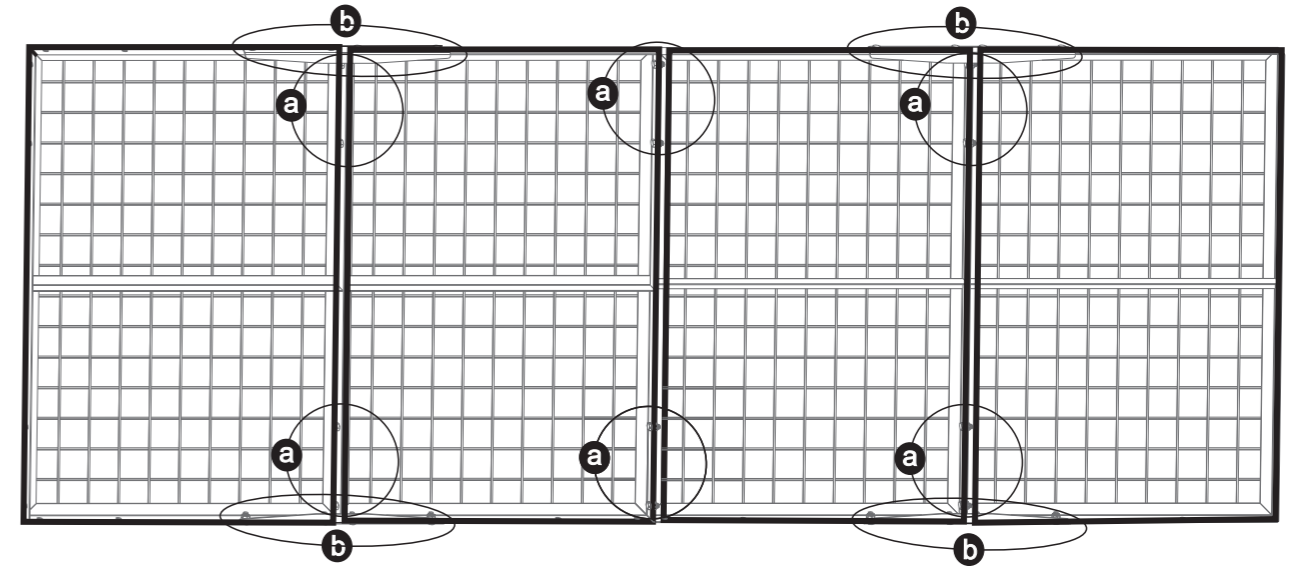
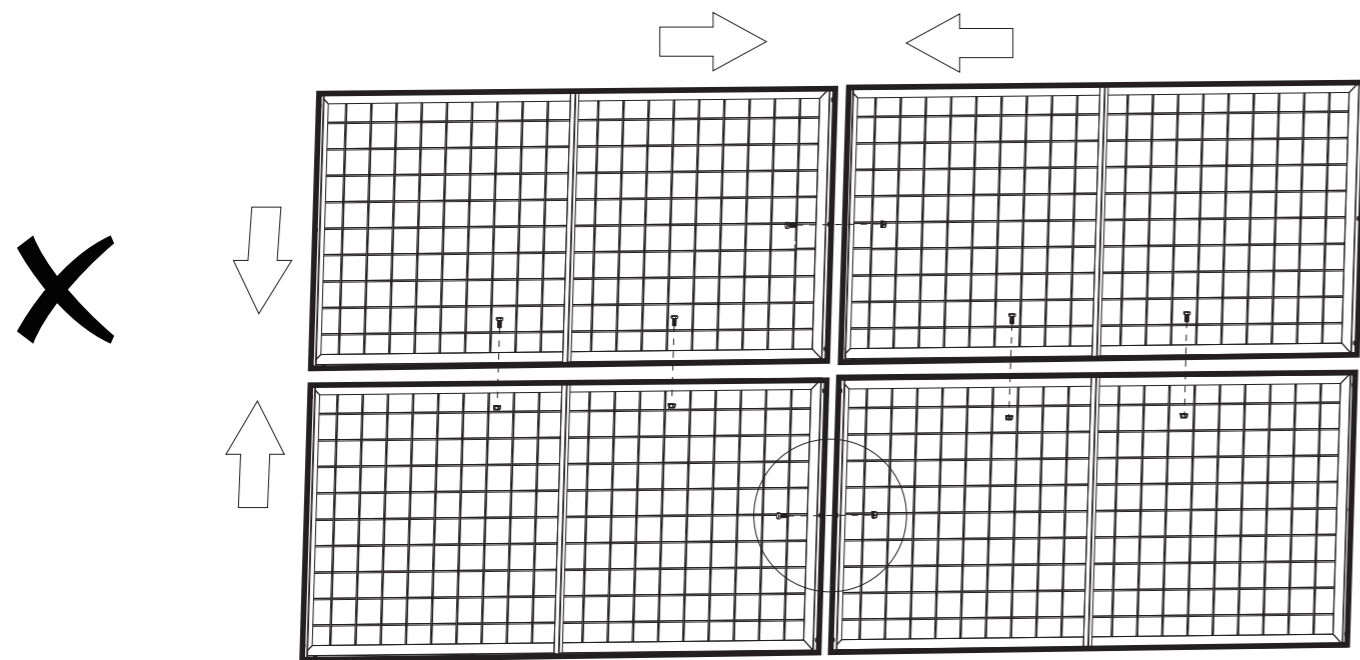


Step 5: Assemble and Attach Wire Grids

Right Direction

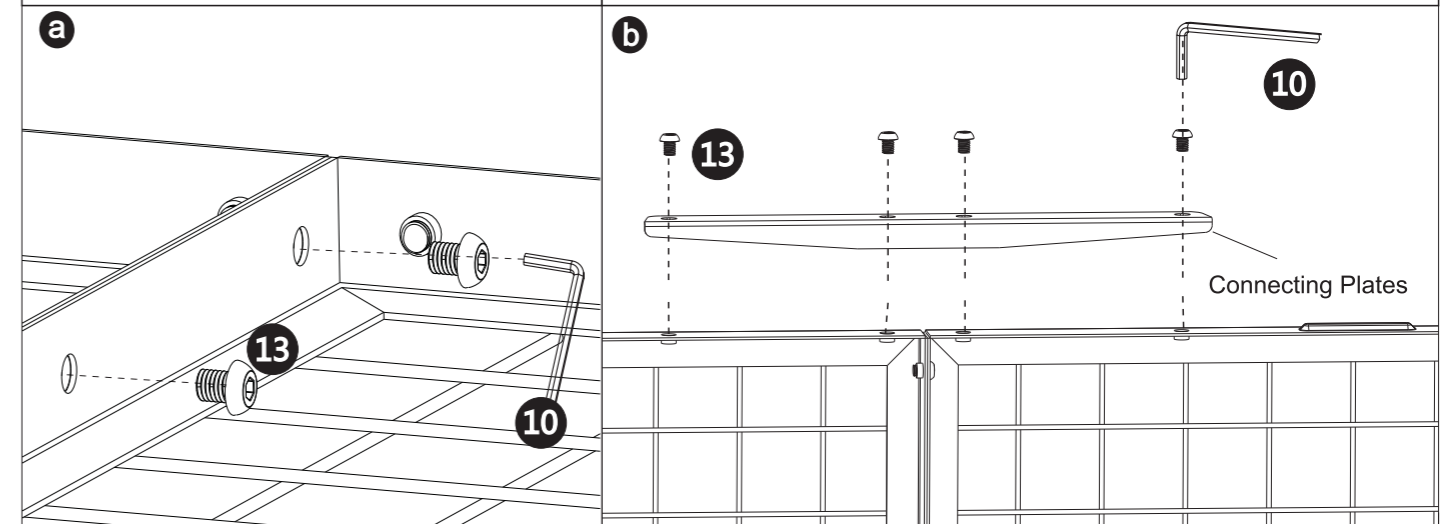


Wrong Direction

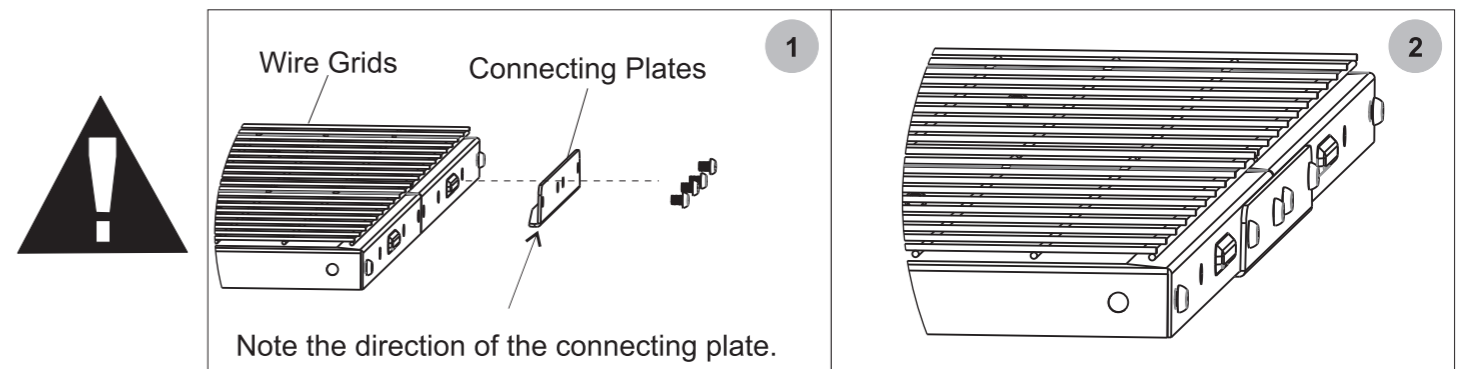


1. Assemble the wire grids side by side as shown in the figure, and attach them using bolts (13). Tighten with hex key (10).

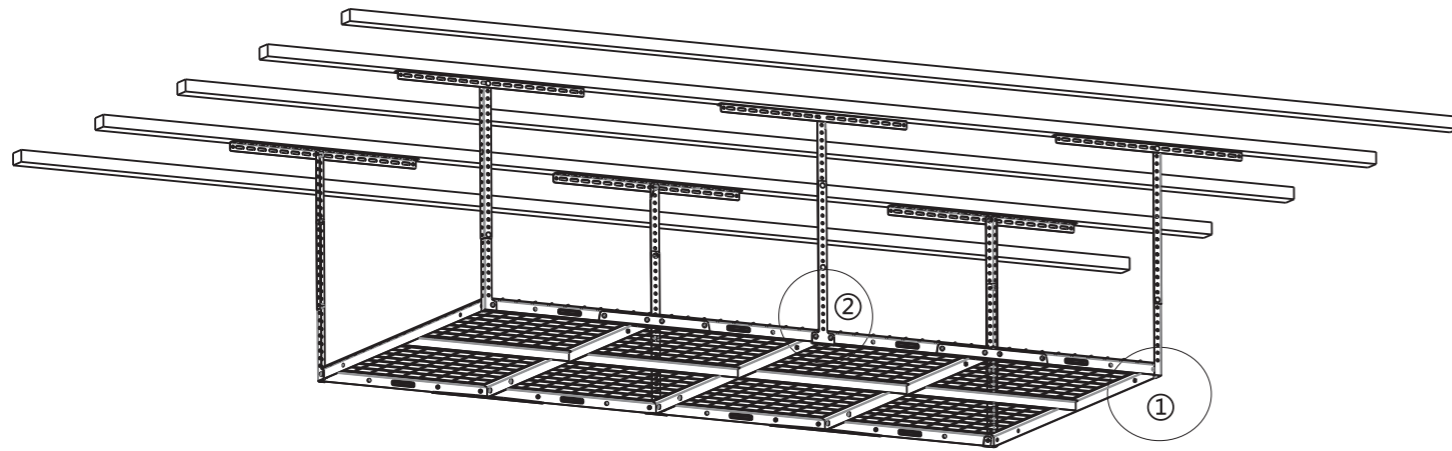
2. Attach the connecting plates at the joints shown in the figure below using the bolts (13). Tighten with hex key (10).



Note: To avoid misalignment of holes when installing screws, do not tighten any screws until all screws are loosely installed. Then, tighten the screws one by one.

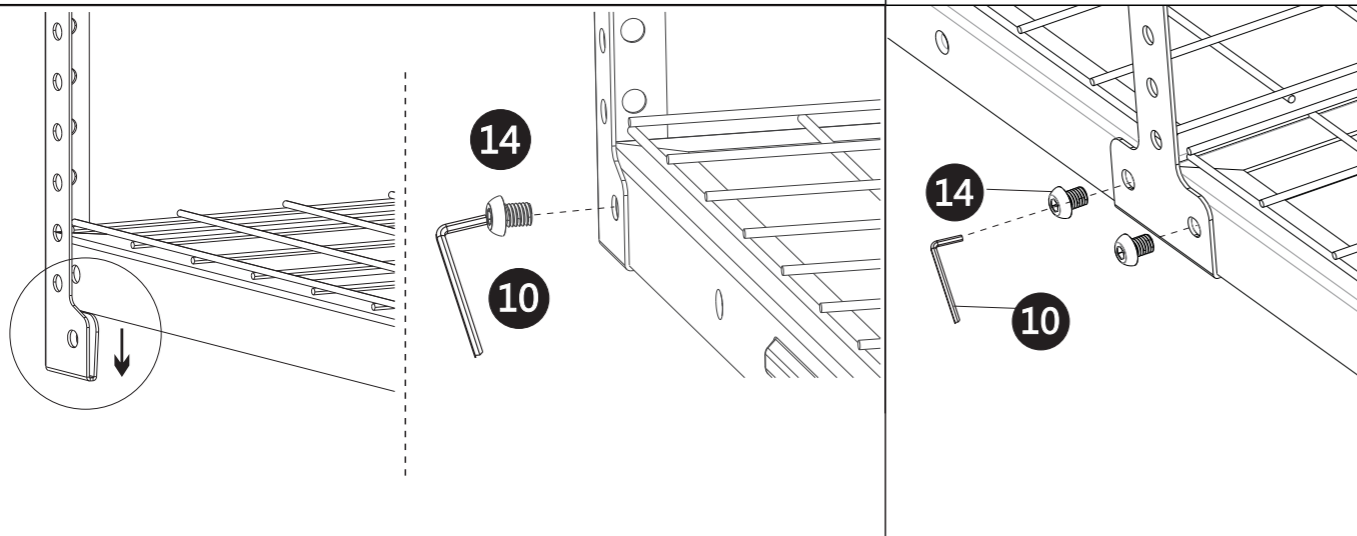


Step 6: Place and Attach Wire Grid



1. Insert the wire grid set. The corners of the grid fit into the slot of the L-shaped vertical posts. Tighten the screws (14) with hex key (10).

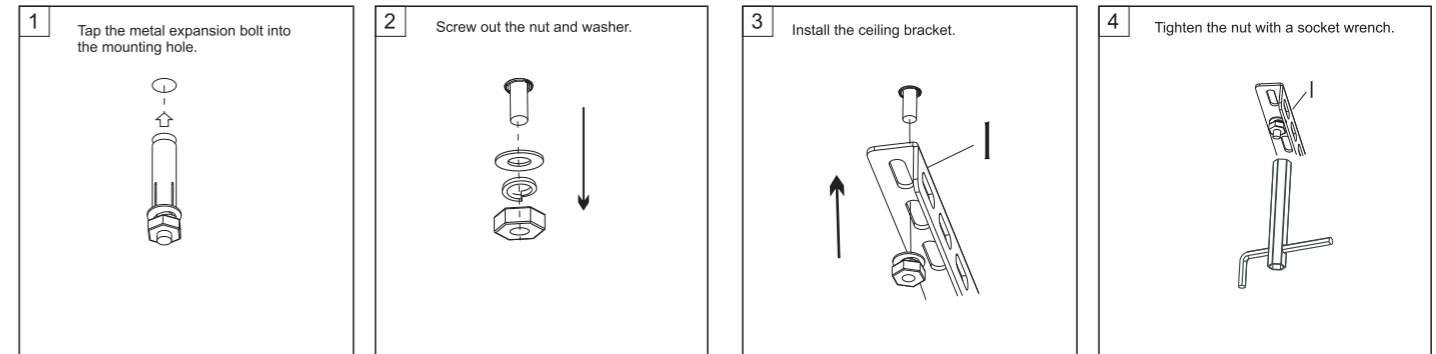
2. Attach the upright vertical posts with the side of the grid by tightening the screws (14) with hex key (10).



Installation Tips

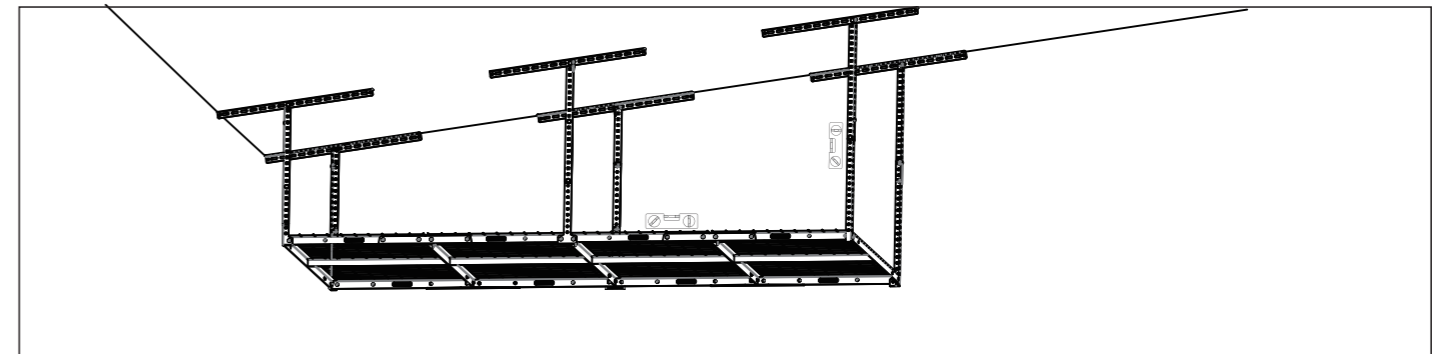
Use of Metal Expansion Bolt

The metal expansion bolt is needed if installing to a concrete ceiling (metal expansion bolts are not included).



Installing on Slanted Ceiling

The ceiling rack can be installed on a slanted ceiling by adjusting the length of the vertical angle post assemblies. The ceiling rack must be installed with a horizontally level storage platform, and vertically level vertical angle posts.



Installing against Wall

The ceiling rack can be installed against the wall on one end by attaching vertical posts to the wall studs. The wall studs must be 48" apart. Additional hardware required are not included.

