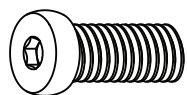
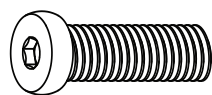


A	Top Panel	1
B	Leg	2
C	Base	1

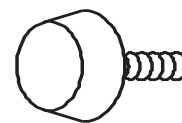
Please review the hardware listed on the next page as well as individual components of this product. As you unpack and prepare for assembly, place the contents on a carpeted or padded area to protect them from damage.



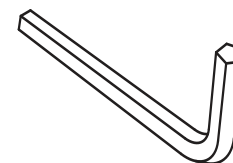
**H1 x 6
SHORT
BOLT**



**H2 x 4
LONG
BOLT**



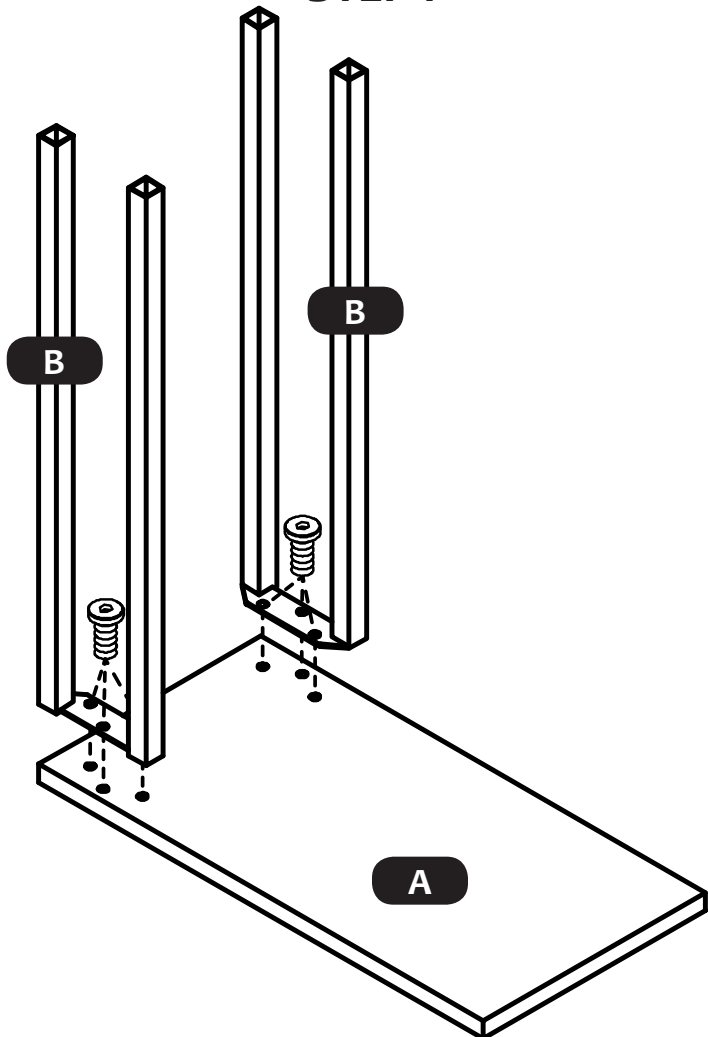
**H3 x 4
ADJUSTABLE
FOOT**





**H4 x 1
ALLEN
WRENCH**

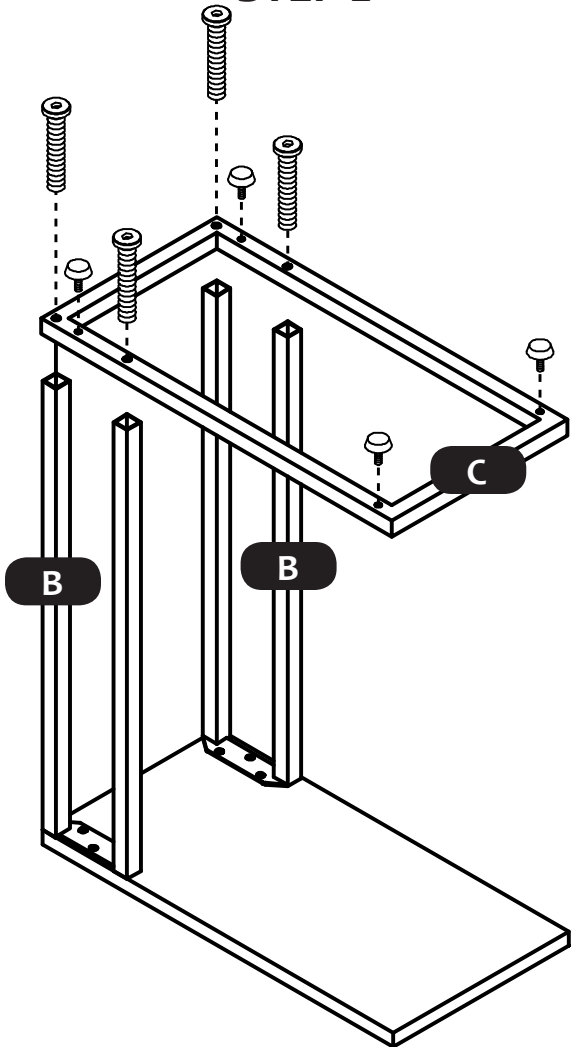
TOOLS REQUIRED:

STEP 1

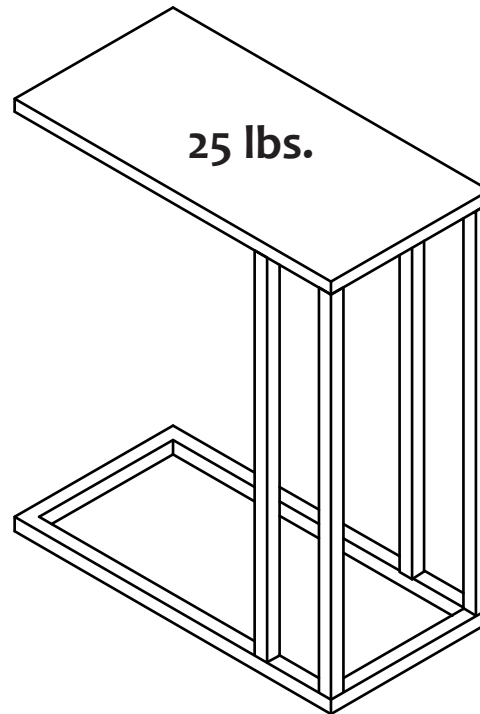


 
**H1 x 6
SHORT
BOLT** **H4 x 1
ALLEN
WRENCH**

STEP 2



  
**H2 x 4
LONG
BOLT** **H3 x 4
ADJUSTABLE
FOOT** **H4 x 1
ALLEN
WRENCH**



WARNING: Do not exceed the recommended weight limits on the designated panels. Exceeding these limits could cause sagging, possibly resulting in failure of product or bodily injury. Severe injury may occur if furniture tips over. Never allow children to climb or play on this product. Place heaviest items on lower shelves and as far back as possible, never overload product.