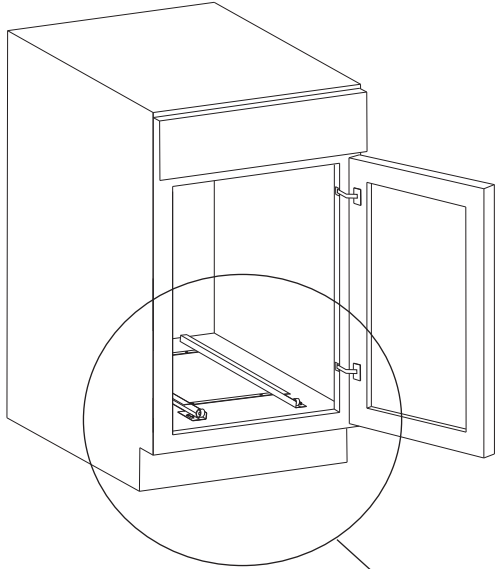


# Ash Rollout Drawer

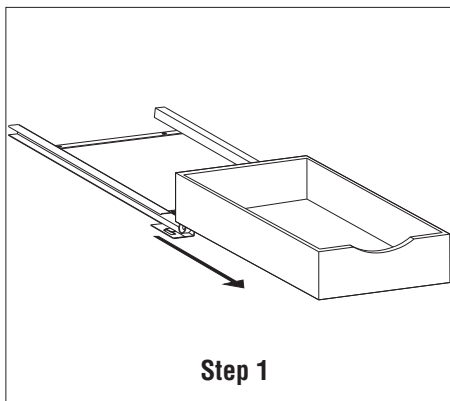
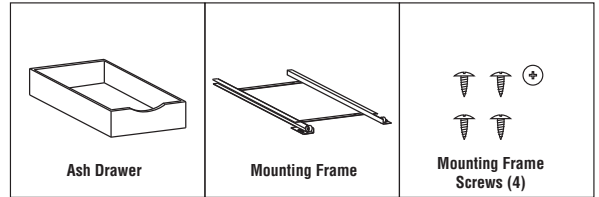
## Installation Instructions



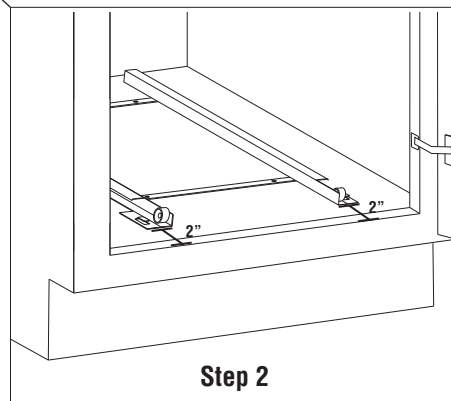
### Parts List

#### Tools Needed:

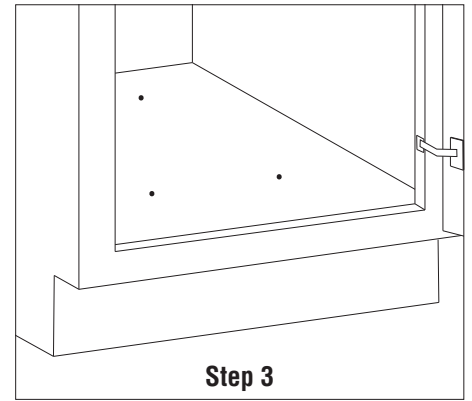
Drill  
1/16" Drill Bit  
Screwdriver  
Tape Measure  
Pencil



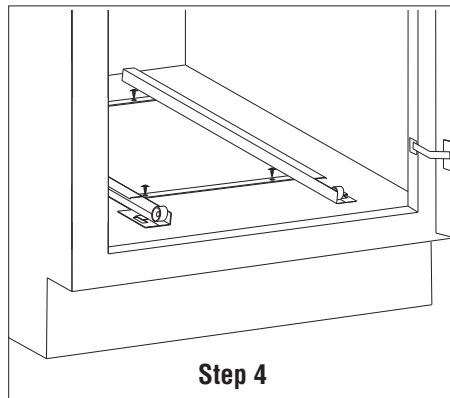
Remove Roll-Out Drawer from mounting frame



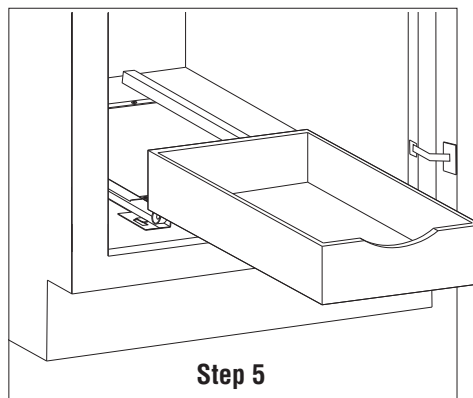
Position front of mounting frame 2" (50mm) from front edge of cabinet. Then mark each hole on mounting frame with pencil.



Remove mounting frame to reveal marked hole locations, use drill with 1/16" drill bit to create pilot holes for screws (4 holes in total)



Use mounting screws (4 in total), to secure mounting frame to bottom of cabinet.



Insert Roll-Out Drawer using guide rails on mounting frame that is now attached to the bottom of the cabinet.

