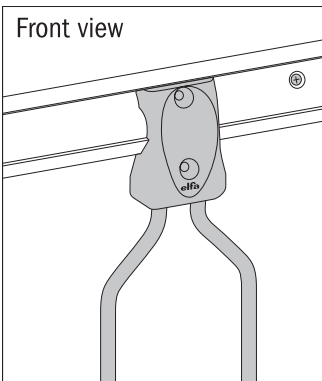
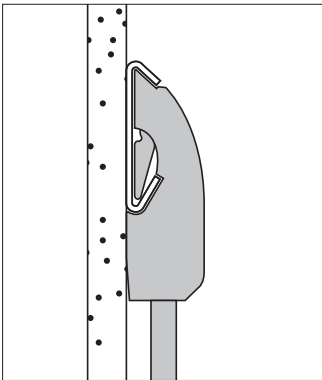
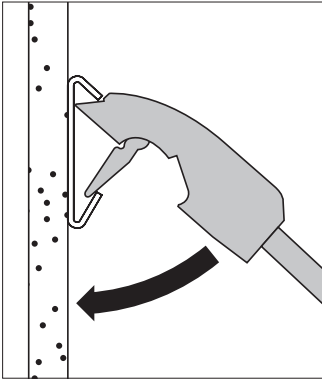
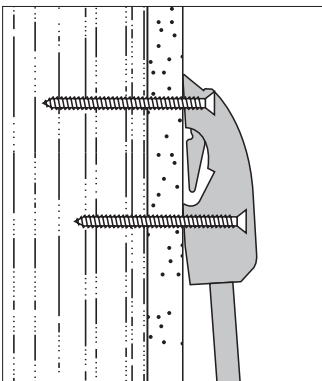


A



B



Tools needed if installing Hook or Holder directly to wall: drill and #2 Phillips screwdriver

TIP

Insert the lower tab of the Hook into the Track first.

A To Install on an Elfa Track

- Insert lower tab of Hook into the lower lip of Track.
- Insert top of the Hook under top lip of Track.
- Pull down on the Hook until it "clicks" into place.

B Wall-Mounted Installation

- You must locate a stud for wall-mounted installation.
- Drill 1/8" pilot holes the length of the screws.
- Tighten with #2 Phillips screwdriver.