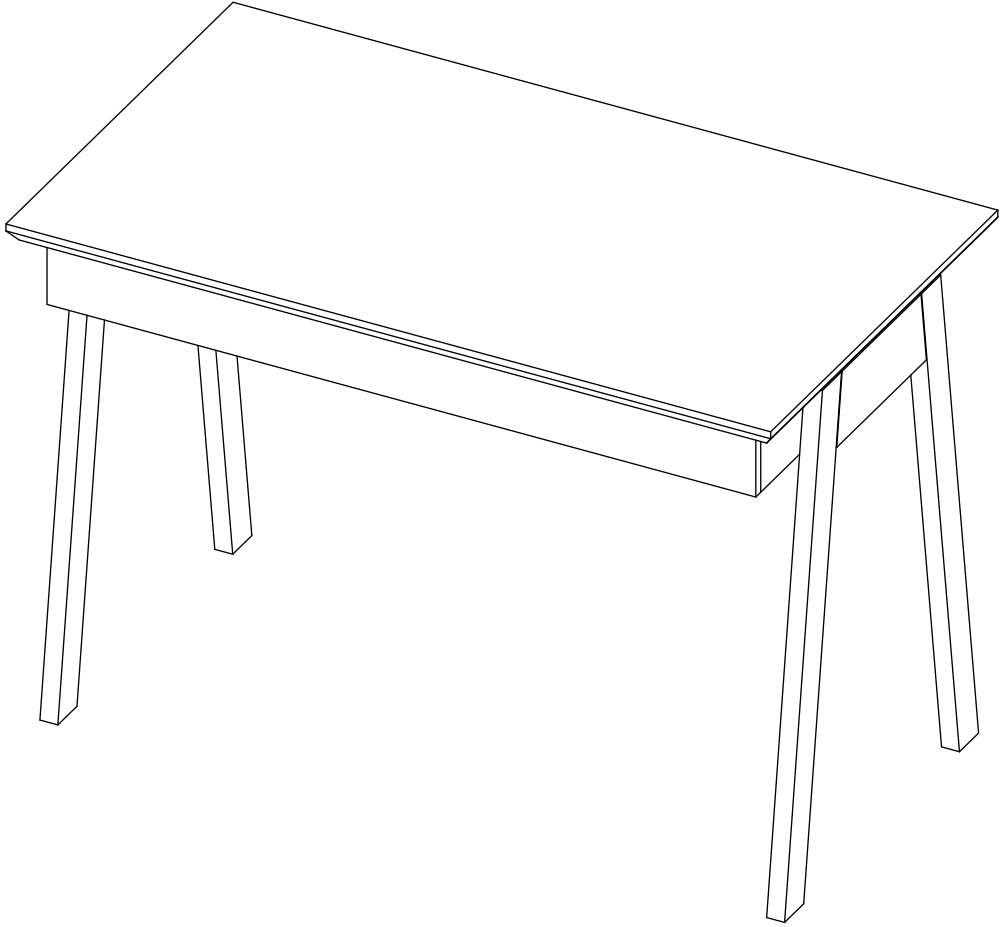


The Container Store[®]

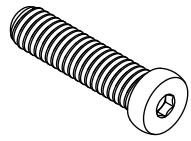
Assembly Instructions Cache Desk



Hardware

WARNING: Severe injury may occur if furniture tips over. Never allow children to climb or play on this product. Place heavier items on lower shelves as far back as possible and never overload.

(H1) x 8+1 extra bolt



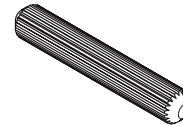
(H2) x 8+1 extra flat washer



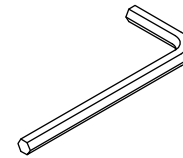
(H3) x 8+1 extra lock washer



(H4) x 4+1 extra wooden dowel

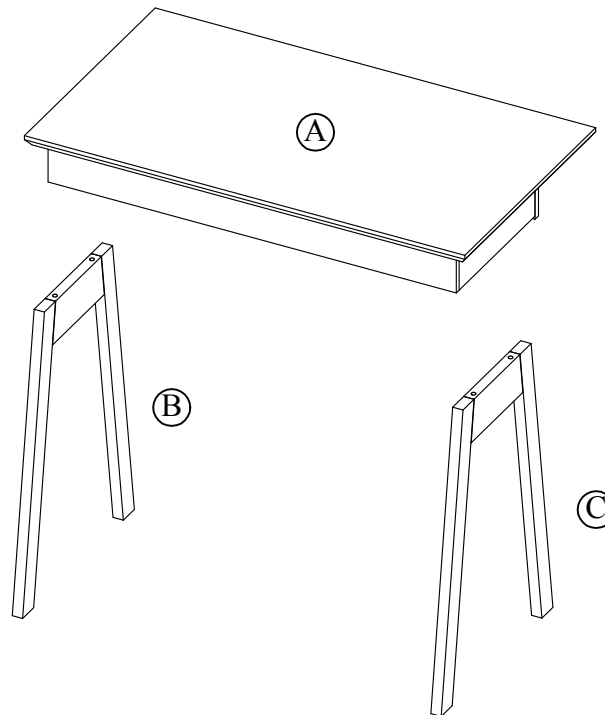


(H5) x 1 allen wrench



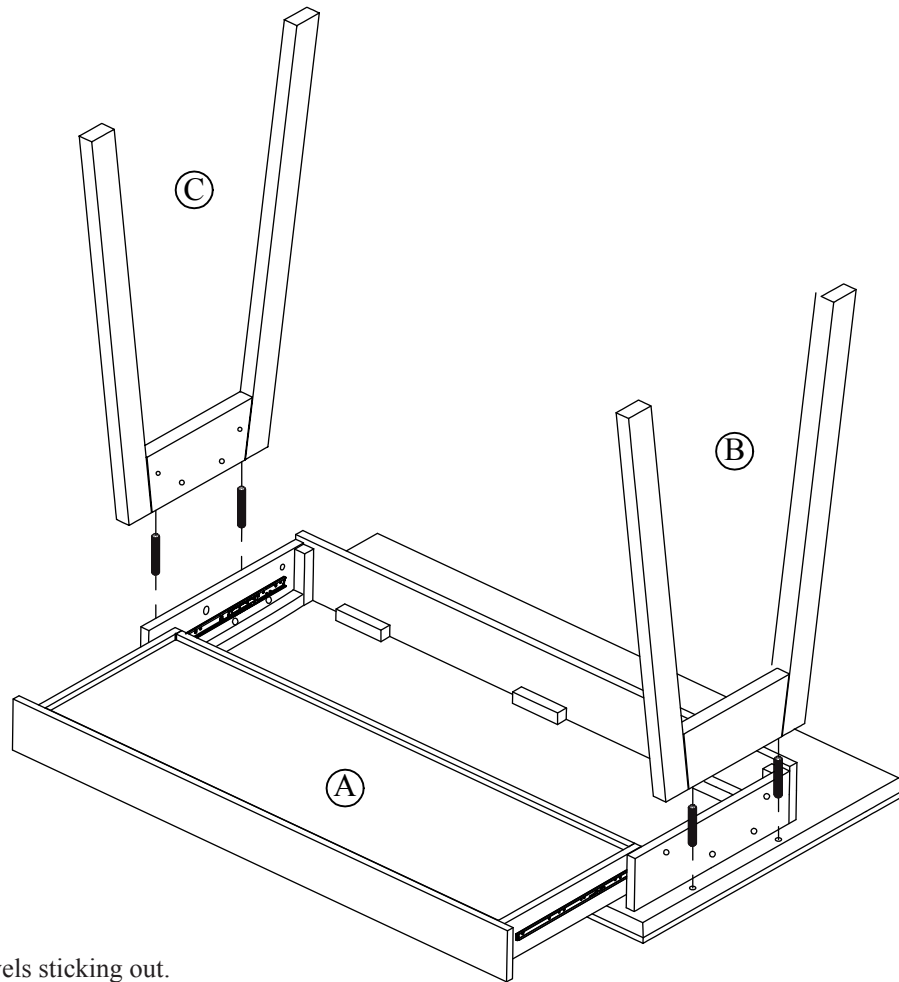
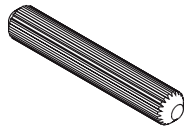
Item	Description	Quantity
------	-------------	----------

A	Desktop	1
B	Left Leg	1
C	Right Leg	1



step 1.

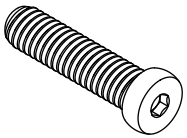
(H4) x 4+1 extra
wooden dowel



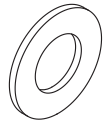
1. Carefully tap wooden dowels into place. Leave 1/2" of dowels sticking out.
2. Slide legs into position as shown.

step 2.

(H1) x 8+1 extra
bolt



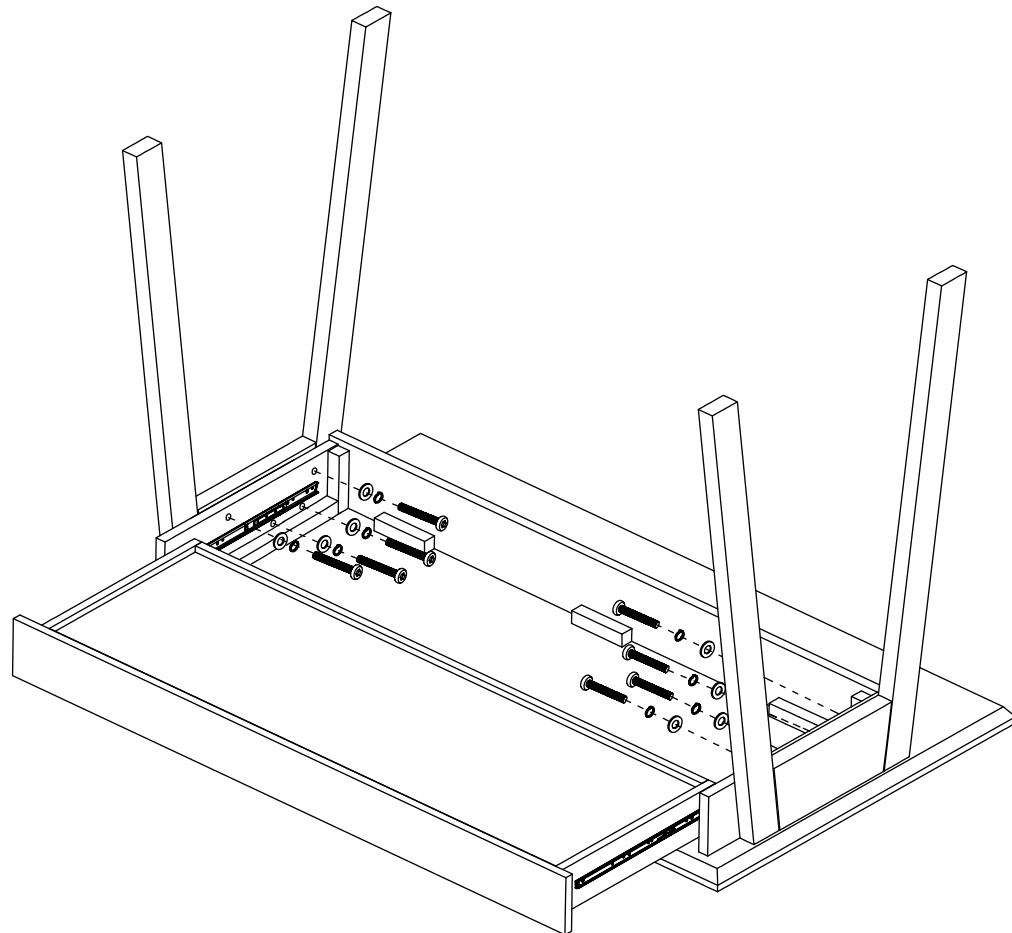
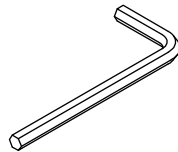
(H2) x 8 +1 extra



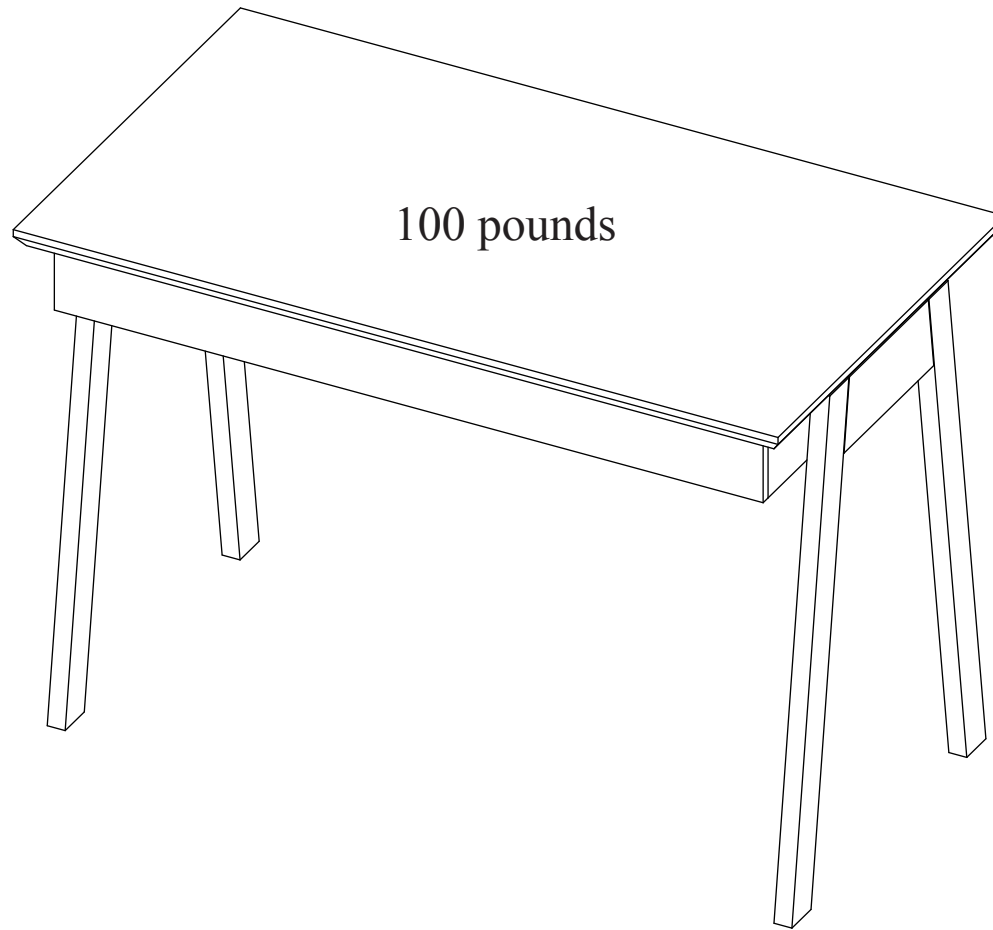
(H3) x 8+1 extra
lock washer



(H5) x 1



1. Insert all bolts into each leg before tightening.
2. Do not overtighten.



Do not exceed the recommended weight limits on the designated panels. Exceeding these limits could cause sagging, possibly resulting in failure of the panel or bodily injury.