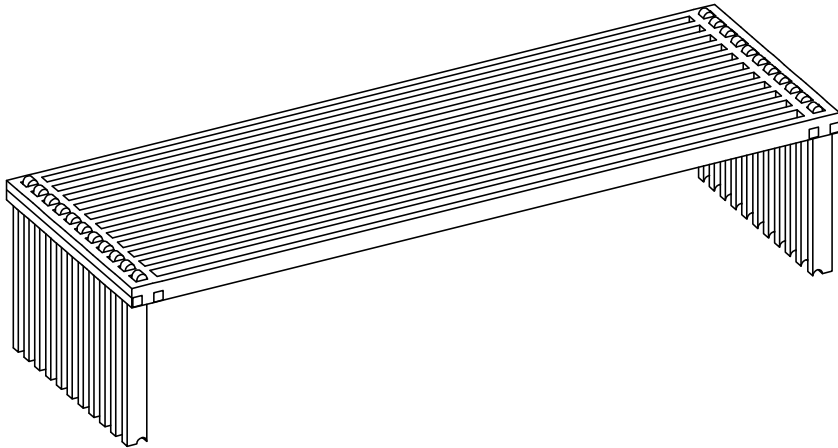
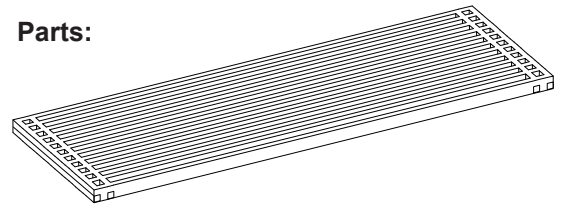


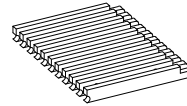
Stackable Slatted Wood Shoe Rack



Parts:



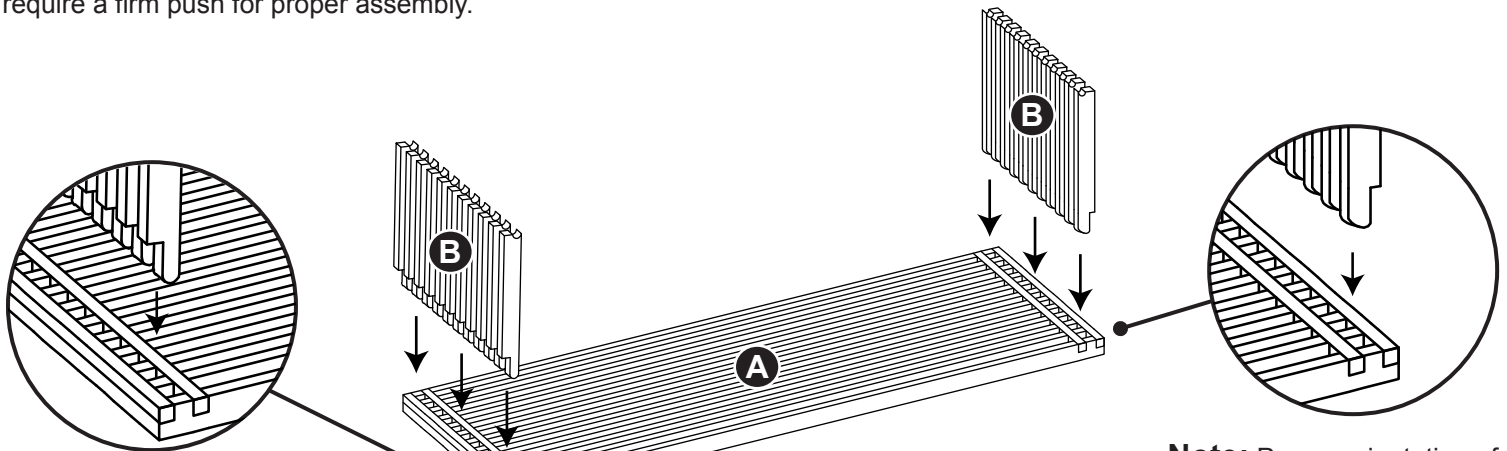
A 1 ea
Top Frame



B 2 ea
Side Frames

A rubber mallet may be used to ease assembly.

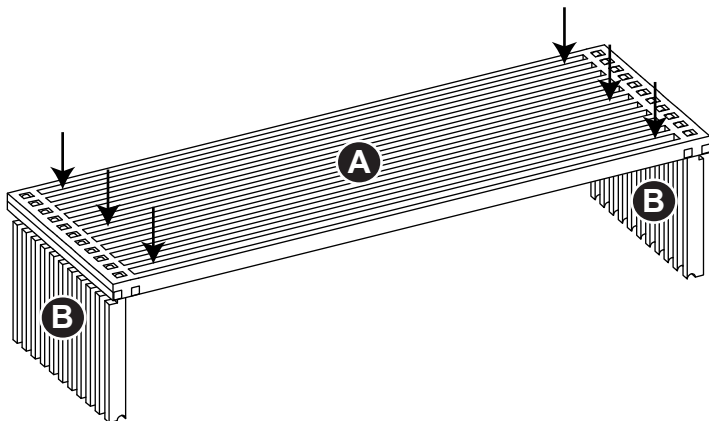
STEP 1: Start the assembly upside down. Follow the drawing below to align the tabs on the side frames (**B**) and push them into the top frame (**A**) until half way inserted. **NOTE:** it can be a tight fit. Side frames are designed to fit tightly for stability and require a firm push for proper assembly.



Note: Proper orientation of the top frame crossbar as well as the side frame tabs.

Note: Proper orientation of the top frame crossbar as well as the side frame tabs.

STEP 2: Flip the rack right side up. Push onto the top frame (**A**) until fully inserted. If available, use a rubber mallet (not included) and **gently** tap on the top frame (**A**) to ease assembly.



Multiple units may be stacked: Please use an anti-tip kit (not included) if height exceeds 36 inches.

