

The Container Store

4-Shelf Shoe Stacker

Assembly Instructions

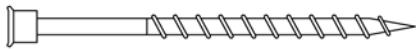
Please read all of the information below before you begin.

Assembly Tools Required

#2 Phillips head screwdriver

Parts and Hardware

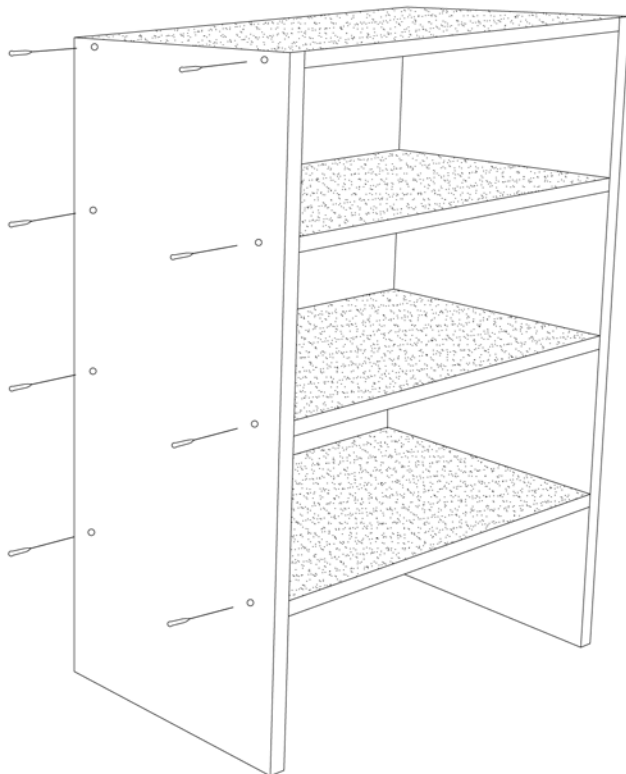
Screw (x16)



Cover Cap (x16)

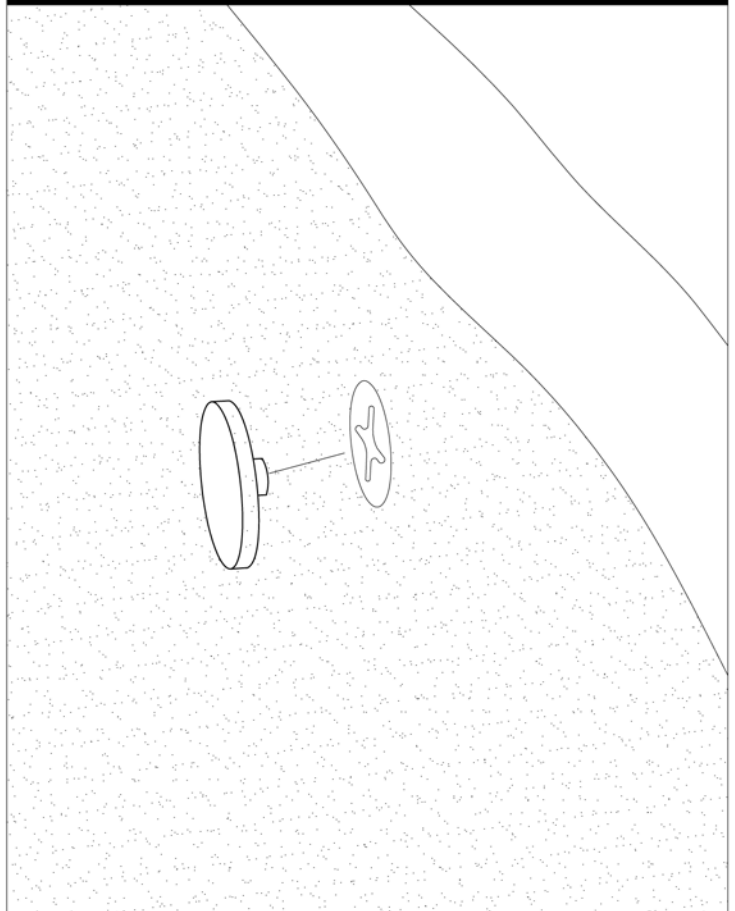


Step 1



Assemble by attaching all shelves with Screws using # Phillips screwdriver.

Step 2



Cover all Screws with Cover Caps.