

8-Pair Shoe Organizer

Assembly Instructions

Please read all of the information below before you begin.

Assembly Tools Required



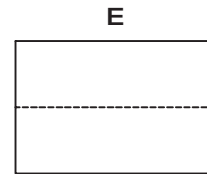
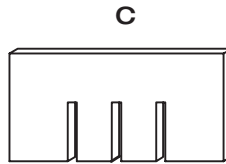
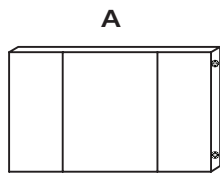
#2 Phillips head screwdriver



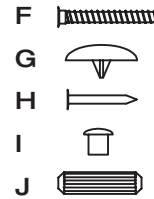
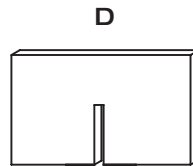
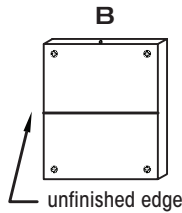
Hammer

Parts and Hardware

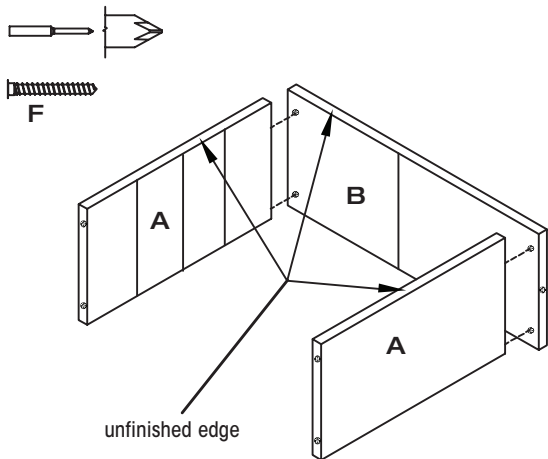
- A. Fixed Shelf (2)
- B. Side Panel (2)
- C. 3-Slot Divider (1)
- D. 1-Slot Divider (3)
- E. Back Panel (1)
- F. Screw (8)
- G. Screw Cover (8)
- H. Nail (10)
- I. Dowel Cover (2)
- J. Dowel (2)



NOTE: Both side panels are identical

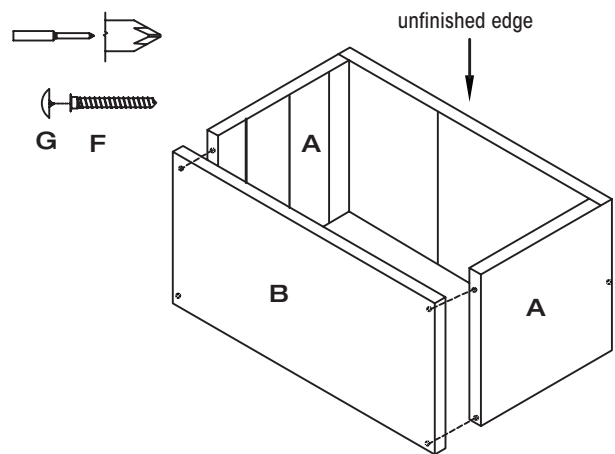


Step 1



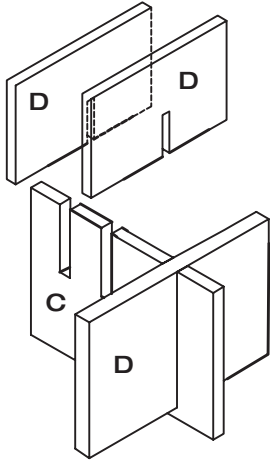
Attach fixed shelves (A) to side (B) with assembly screws (F).

Step 2



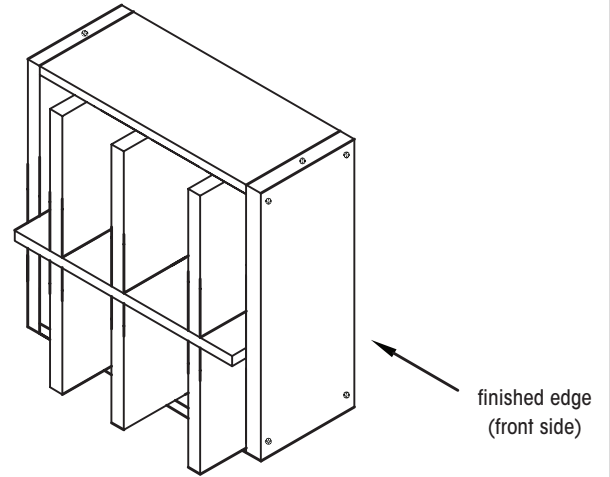
1. Attach the 2nd side (B) to fixed shelves (A) with assembly screw (F).
2. Cover all exposed screw heads with cover caps (G).

Step 3



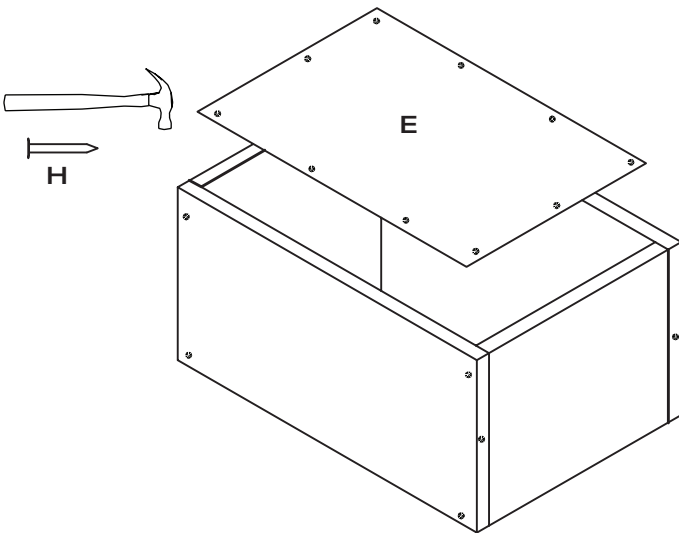
Slide the 1-slot dividers (D) and 3-slot dividers (C) together as shown.

Step 4



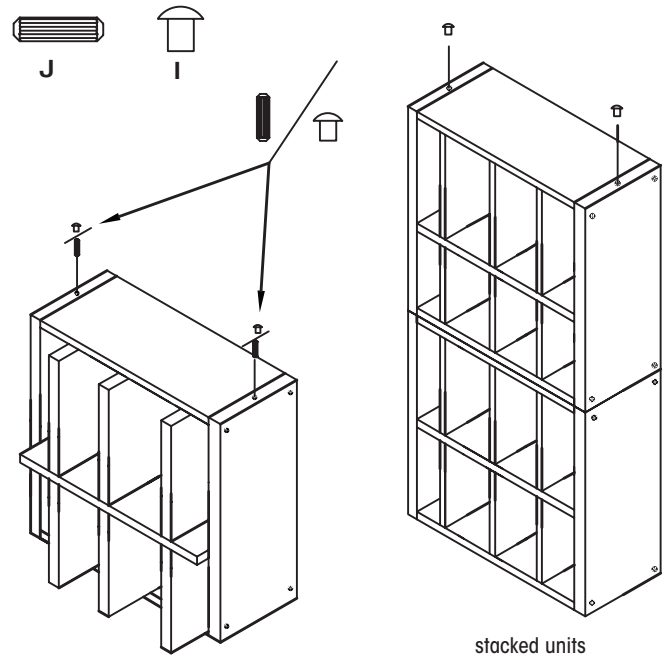
Insert the combined dividers into the frame (fit into grooves).

Step 5




Position the back panel (E) over the center of the back of the unit. Secure the back panel with a hammer and nails (H), being careful to drive the nails straight in (not at an angle).

Step 6



If stacking more than one unit, use the dowels (J) to join them. Insert the dowel covers (I) into the dowel holes on the top unit.

 **WARNING CHOKING HAZARD** — This unit contains small parts. Not for children under 3 years old.