

2-Shelf Shoe Stacker

Assembly Instructions

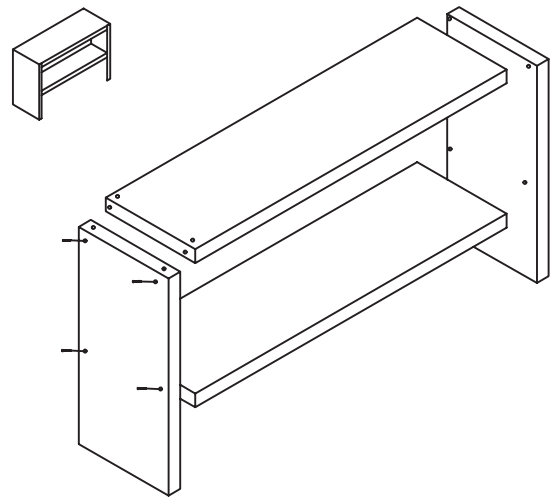
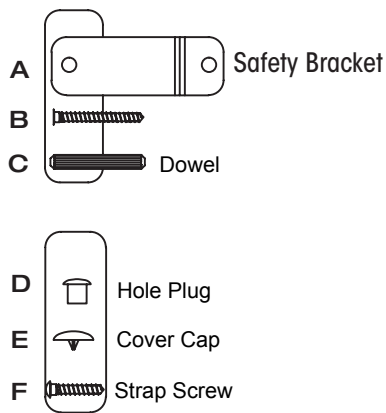
Please read all of the information below before you begin.

Assembly Tools Required

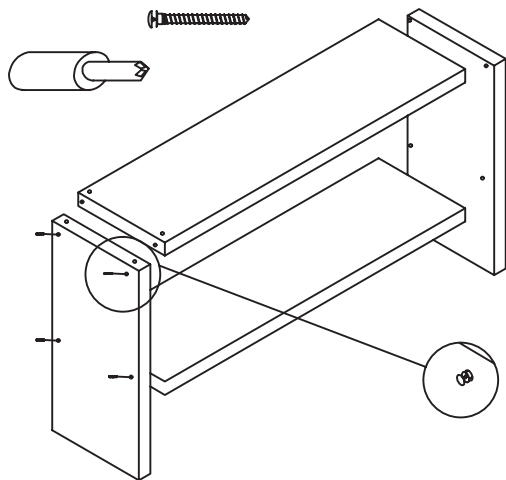
 #2 Phillips head screwdriver

Parts and Hardware

- A. Safety Bracket
- B. Screw
- C. Dowel
- D. Hole Plug
- E. Cover Cap
- F. Strap Screw

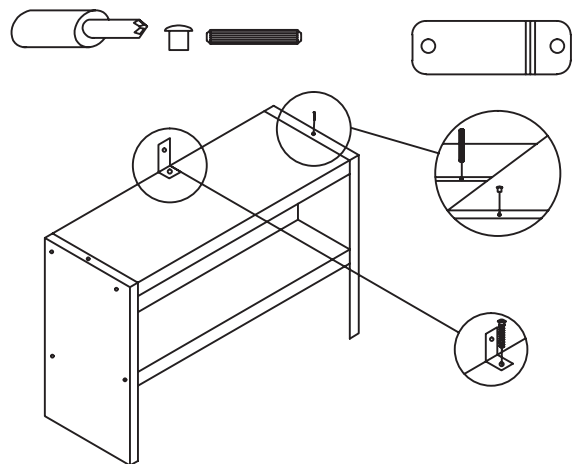


Step 1



You can secure this unit to a wall using the enclosed safety bracket and strap screw. The type of screw and wall anchor (not included) will depend on the type of wall to which the unit is being secured. Please consult your local hardware store for the best wall anchor and screw for your wall.

Step 2



When stacking units; you can secure each unit to a wall using the safety straps and strap screws provided. Do not hang this unit on a wall.