

12-Pair Shoe Organizer

Assembly Instructions

Please read all of the information below before you begin.

Assembly Tools Required



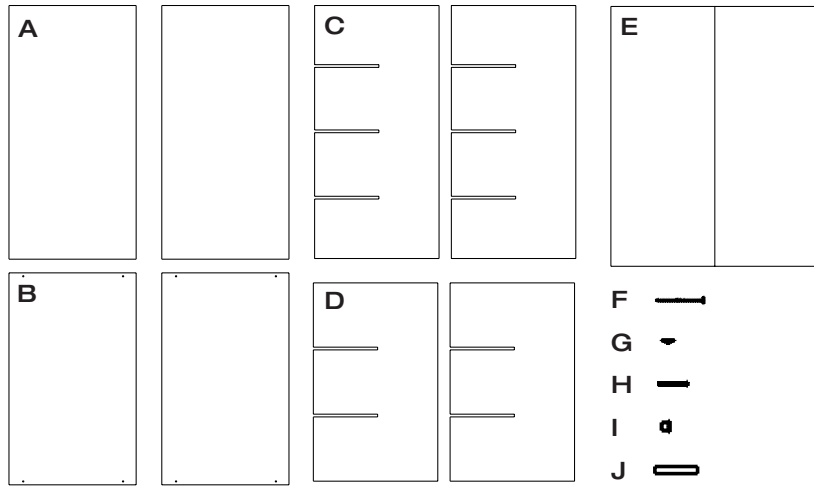
#2 Phillips head screwdriver



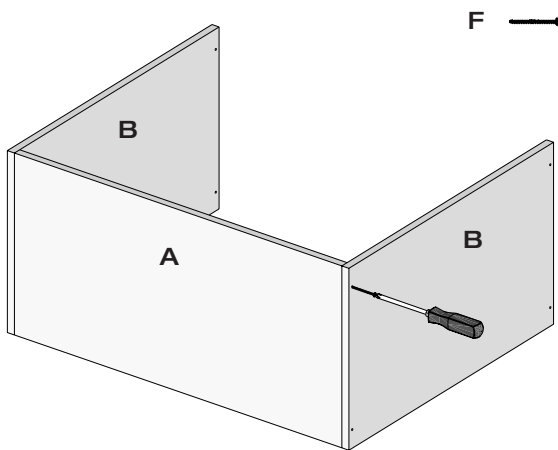
Hammer

Parts and Hardware

- A. 24" Shelf (2)
- B. Side Panel (2)
- C. 3-Slot Divider (2)
- D. 2-Slot Divider (3)
- E. Back Panel (1)
- F. Screw (8)
- G. Screw Cover (8)
- H. Nail (6)
- I. Dowel Cover (2)
- J. Dowel (2)

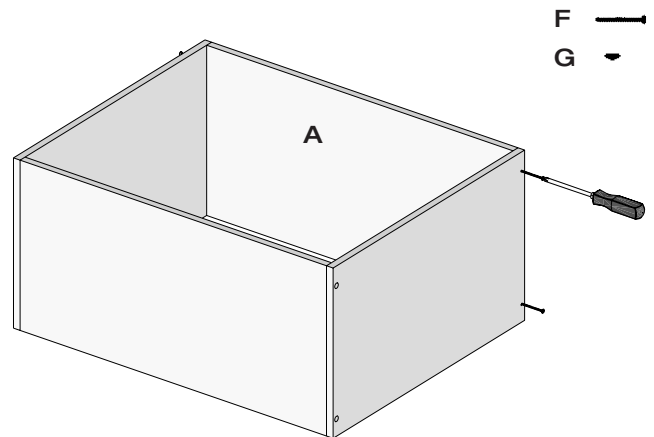


Step 1



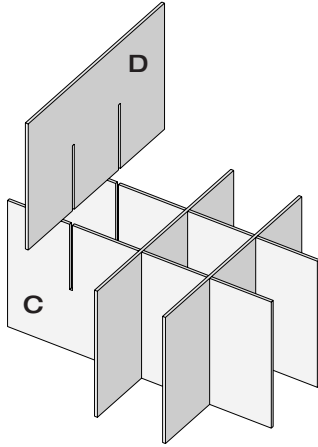
Position one 24" shelf (A) and both side panels (B) so the finished edge is facing up. Use the screws (F) to secure them together.

Step 2



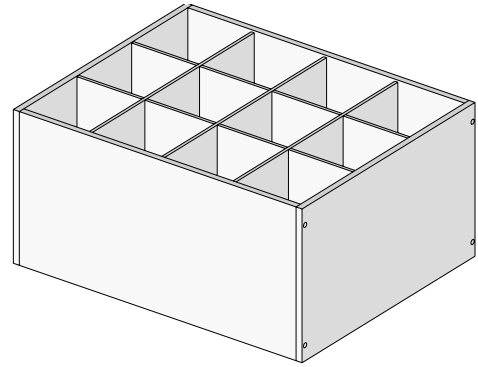
Attach the other 24" shelf (A) at the opposite end, using the screws (F) provided. Cover all holes with screw covers (G).

Step 3



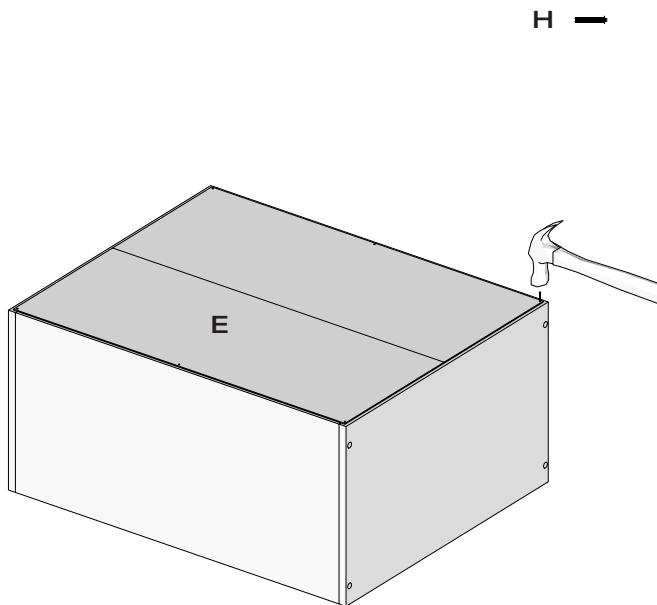
Slide the 3-slot dividers (C) and 2-slot dividers (D) together as shown.

Step 4



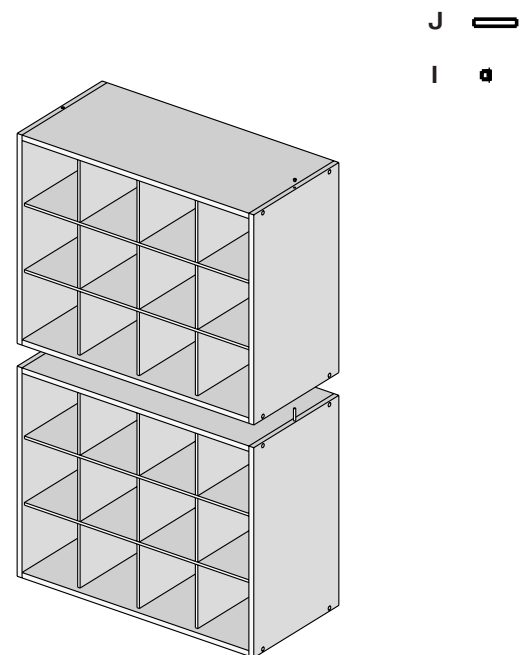
Insert the combined dividers into the frame (fit into grooves).

Step 5




Position the back panel (E) over the center of the back of the unit. Secure the back panel with a hammer and nails (H), being careful to drive the nails straight in (not at an angle).

Step 6



If stacking more than one unit, use the dowels (J) to join them. Insert the dowel covers (I) into the dowel holes on the top unit.

 **WARNING CHOKING HAZARD** — This unit contains small parts. Not for children under 3 years old.