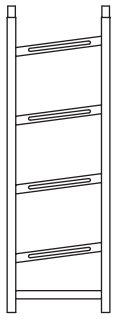
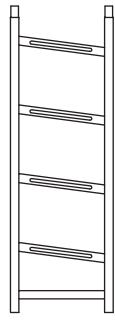


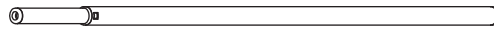
# 6739-10494-GM Gunmetal 4-Tier Shoe Rack



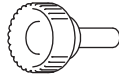
**A** 1 ea  
Left side frame  
(inside view)



**B** 1 ea  
Right side frame  
(inside view)



**C** 8 ea  
Horizontal poles



**D** 16 ea  
Screws



**E** 4 ea  
Bottom caps

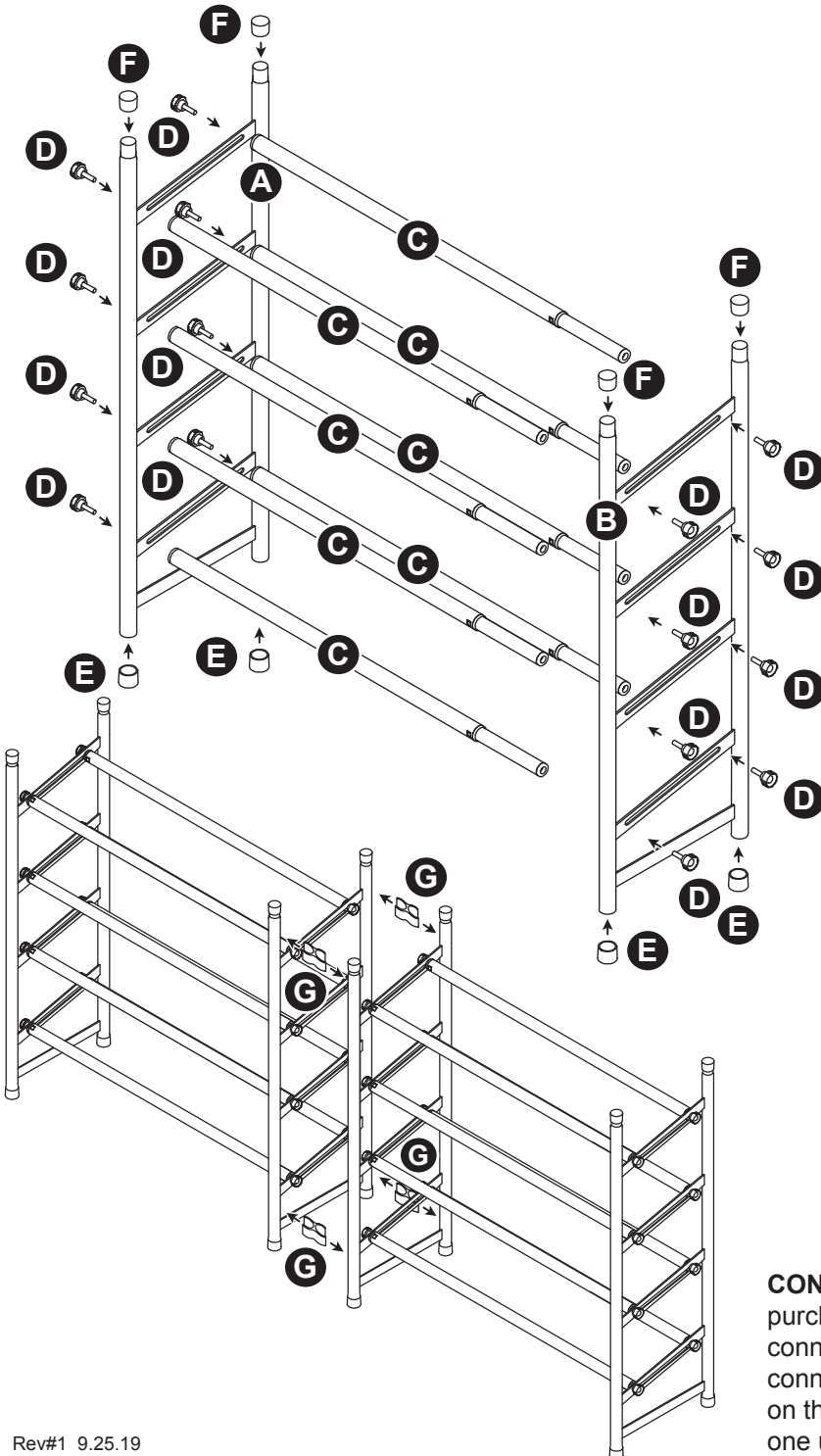


**F** 4 ea  
Top caps

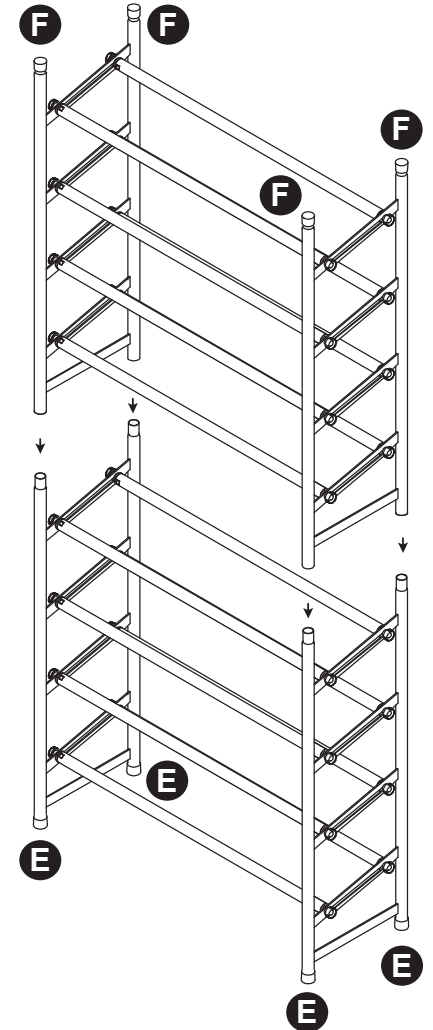


**G** 2 ea  
Connectors (not required  
for a single unit assembly  
or for stacking multiple units)

**Tools Needed:** No tools required.



**STACKING MULTIPLE UNITS:** If you purchased more than one unit, you can stack them. Remove the bottom caps (**E**) from the upper unit and the top caps (**F**) from the lower unit.



**CONNECTING MULTIPLE UNITS:** If you purchased more than one unit, you can connect them widthwise. Use 2 connectors on the front of the units and 2 on the back connecting the right frame of one unit with left frame of another unit.