



# Instructions for Gift Wrap Cart Assembly

**The Container Store®**

*We know you will be amazed with the ease of assembling elfa®. If at any time you have any questions, call the store phone number listed on your receipt or 1-800-733-3532.*

## To build elfa® Frames and Drawers:

**Tool needed:** plastic mallet

**TIP** — If you don't have a plastic mallet, you can use a hammer with a wood block to protect the Frame.

### Step 1

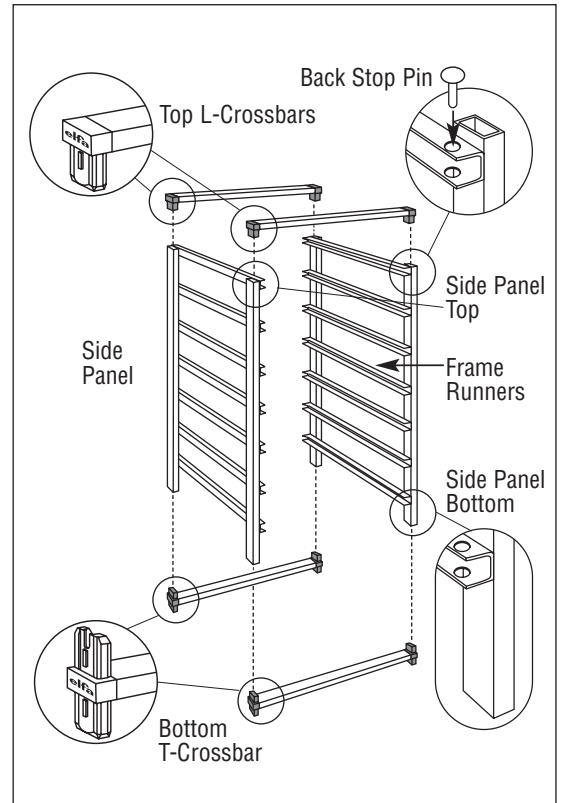
- Position the elfa® Frame Runners facing inward.
- Using a plastic mallet, tap the Bottom T-Crossbars into the bottom of each Side Panel.

### Step 2

- If using Back Stop Pins, put a Back Stop Pin in each of the back holes of the top Frame Runners before inserting the Top L-Crossbars. The remaining Back Stop Pins should be put in just prior to sliding in the Drawers.
- Tap the Top L-Crossbars completely into each Side Panel.

### Step 3

Attach the casters to the bottom of the Drawer solution following the instructions on the packaging.



# To assemble the elfa® Gift Wrap Cart:

## Step 1

Place the Gift Wrap Organizer Hangmate on the top Runner of one side of the Frame, using the clips provided in the packaging.

- To attach the clip to the Frame, place the open edge around the Frame Runner and flip down as shown in Fig. A.
- Place three clips evenly spaced along the Frame Runner, then clip the Gift Wrap Organizer Hangmate in place as shown in Fig. B.

## Step 2

Place the Accessory Basket Hangmate two Frame Runners up from the bottom, on the same side as the Gift Wrap Organizer Hangmate.

- Angle the Accessory Basket Hangmate so that one end slides behind the Frame, then drop the other end into place.

## Step 3

The Ribbon Dispenser Hangmate should be positioned on the opposite side of the Frame. Place the two clips (as shown in step 1) on the second Frame Runner from the top. Snap the Ribbon Dispenser into the clips.

## Step 4

Attach the Melamine Top using the four adhesive strips included in the packaging. Follow the instructions on the packaging.

## Step 5

- Insert the remaining Back Stop Pins.
- Slide in the Drawers.

