



Instructions for Component Desk Assembly

The Container Store®

We know you will be amazed with the ease of assembling elfa®. If at any time you have any questions, call the store phone number listed on your receipt or 1-800-733-3532.

TIPS for getting started

- Tools needed: pencil, power drill, 1/8" drill bit, #2 Phillips screwdriver, tape measure, plastic mallet

To attach Desk Legs:

Step 1

Place the Desk Top on a floor and measure 1" from each corner edge to determine the placement of the Desk Legs.

- Note: There is not a designated top or bottom to the Desk Top.
- Mark all three holes of each Desk Leg with a pencil on each corner of the Desk Top.

Step 2

Drill a pilot hole with a 1/8" drill bit. You should drill just enough to break through the surface of the Desk Top. Repeat for all three holes for each Desk Leg.

Step 3

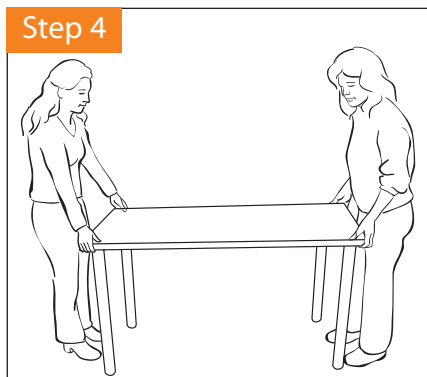
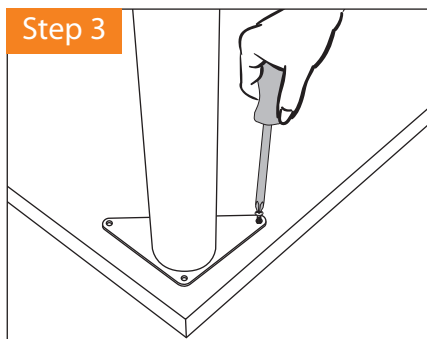
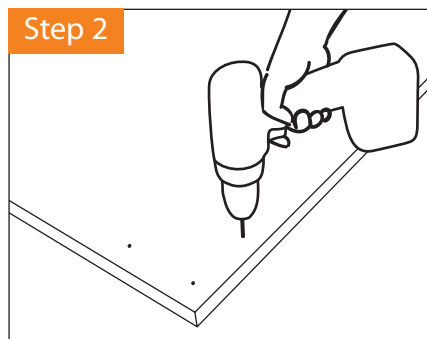
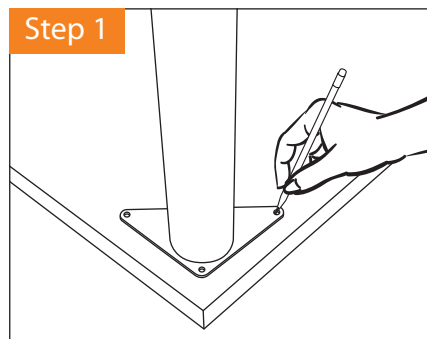
Secure the Desk Leg with the screws provided using a Phillips screwdriver.

- Repeat for all Desk Legs.
- If using four Desk Legs, installation is complete.

If using an elfa® Drawer Solution or File Cabinet instead of Desk Legs, proceed to page 2 or 3.

Step 4

It's best to have **two people** to flip the desk over carefully. Do not use Desk Legs as leverage when turning the desk right side up.



To build elfa® Frames and Drawers:

Tool needed: plastic mallet

TIP

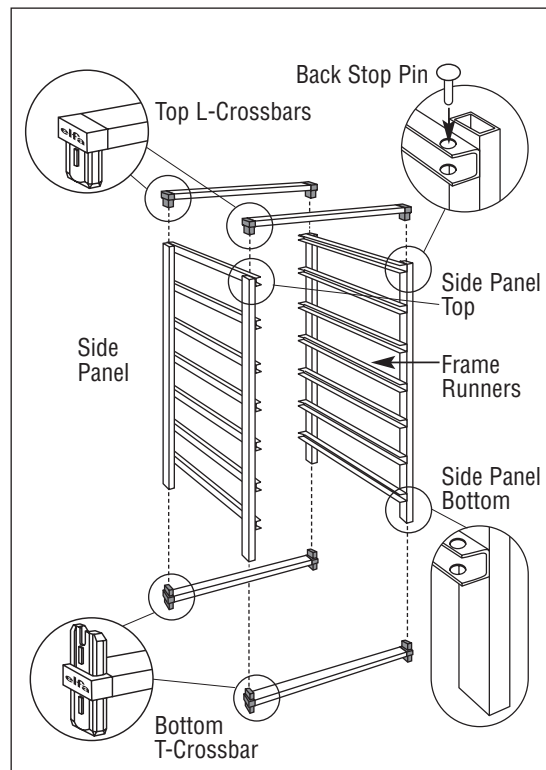
- If you don't have a plastic mallet, you can use a hammer with a wood block to protect the Frame.

Step 1

- Position the elfa® Frame Runners facing inward.
- Using a plastic mallet, tap the Bottom T-Crossbars into the bottom of each Side Panel.

Step 2

- If using Back Stop Pins, put a Back Stop Pin in each of the back holes of the top Frame Runners before inserting the Top L-Crossbars.
- Tap the Top L-Crossbars completely into each Side Panel.
- Insert the remaining Back Stop Pins.



To attach an elfa® Drawer Solution or File Cabinet to the Desk Top:

If using Desk Legs in addition to a Drawer Solution or File Cabinet, attach the Desk Legs first following the steps on page 1.

Step 1

- Cut four, 1-1/2" strips of Velcro®.
- Secure the Velcro® pieces (hook and loop) together.
- Remove the protective backing from one side of the Velcro®. Adhere a Velcro® strip to the Drawer Frame or File Cabinet at all four corners, as shown in Fig. A.

Step 2

Remove the protective backing from the side of the Velcro® that's facing up.

Step 3

Without pressing the Desk Top to the adhesive, position the Desk Top so the Drawer Frame or File Cabinet is about 1" from the edge of the Desk Top. This will ensure you leave enough leg room.

- When satisfied with the positioning of the Desk Top, press firmly to secure.

Step 4

- Slide the Drawers into the Frame.
- If you have other Frame and Drawer accessories, install them now.

