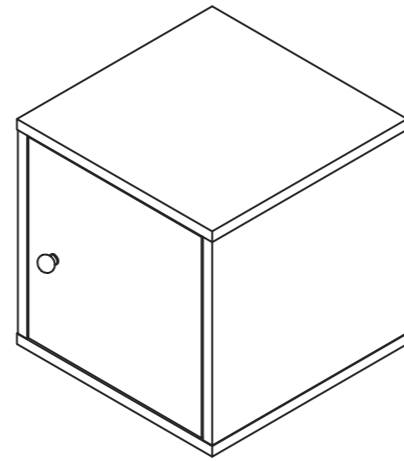


Premium Door Cube

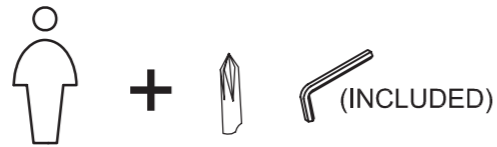
Questions?
Please call us at toll-free 1-888-CONTAIN

ASSEMBLY INSTRUCTIONS:

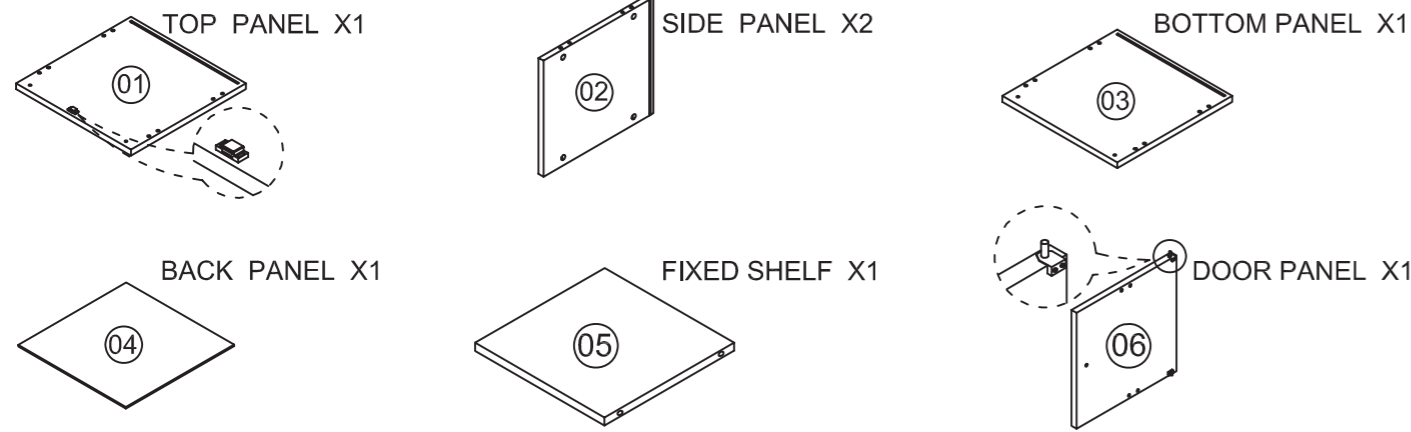
Thank you for purchasing the Premium Door Cube. This page lists all the contents included in the box. Please follow the step by step instructions. As you unpack, place all components on a protected surface to prevent scratching and damage.



ASSEMBLY REQUIREMENTS:



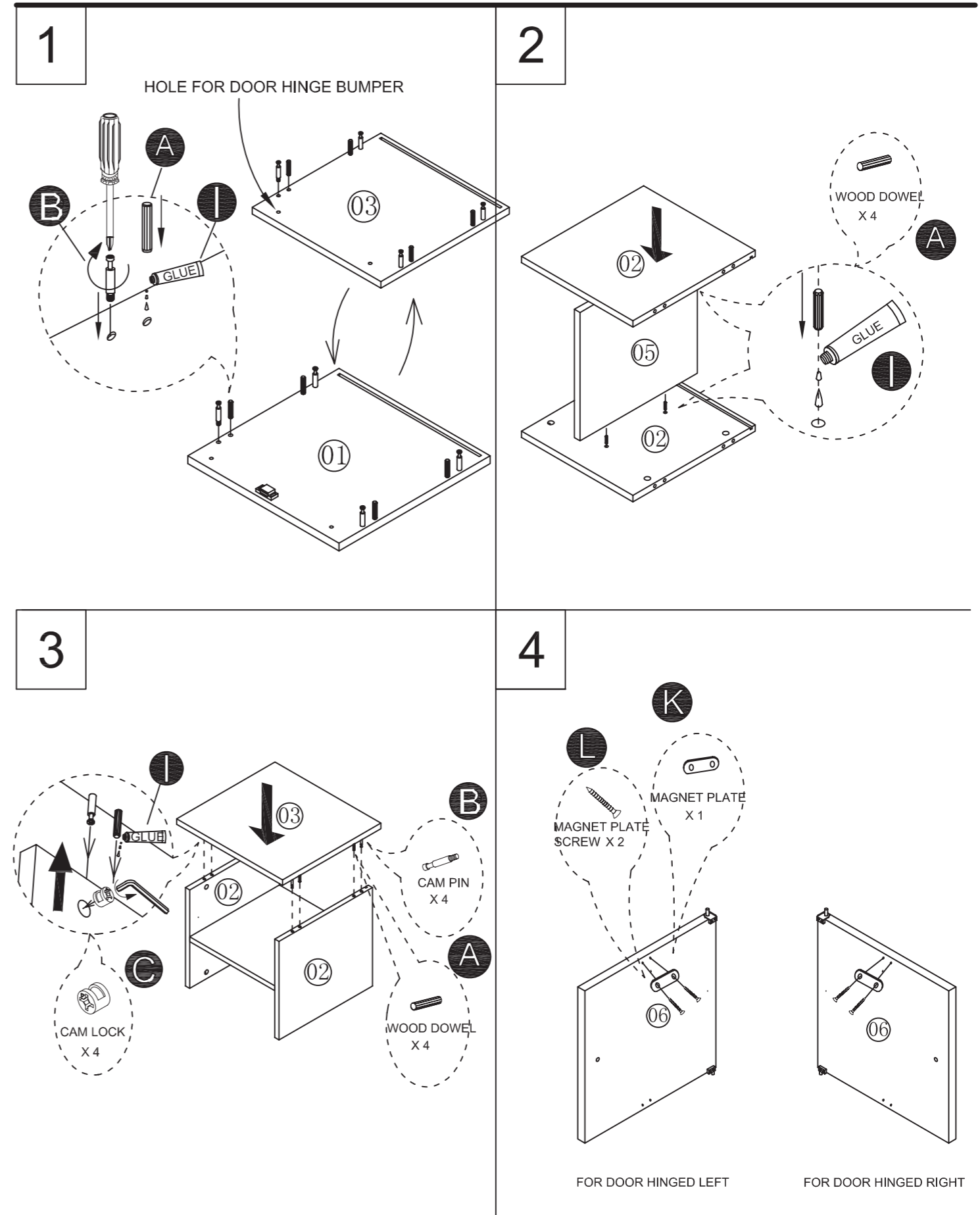
PARTS:



HARDWARE:

(A) WOOD DOWEL	X12		(B) CAM PIN	X8	
(C) CAM LOCK	X8		(D) CAP	X8	
(E) BOLT 4X22 FOR KNOB	X1		(F) DOOR KNOB	X1	
(G) ALLEN WRENCH	X1		(H) BUMPER (OPTIONAL)	X4	
(I) GLUE	X1		(J) DOOR HINGE BUMPER	X4	
(K) MAGNET PLATE	X1		(L) MAGNET PLATE SCREW (3.5 X 15mm)	X2	
(M) CONNECTED PLATE	X2		(N) CONNECTED PLATE SCREW (3.5 X 18 mm)	X4	

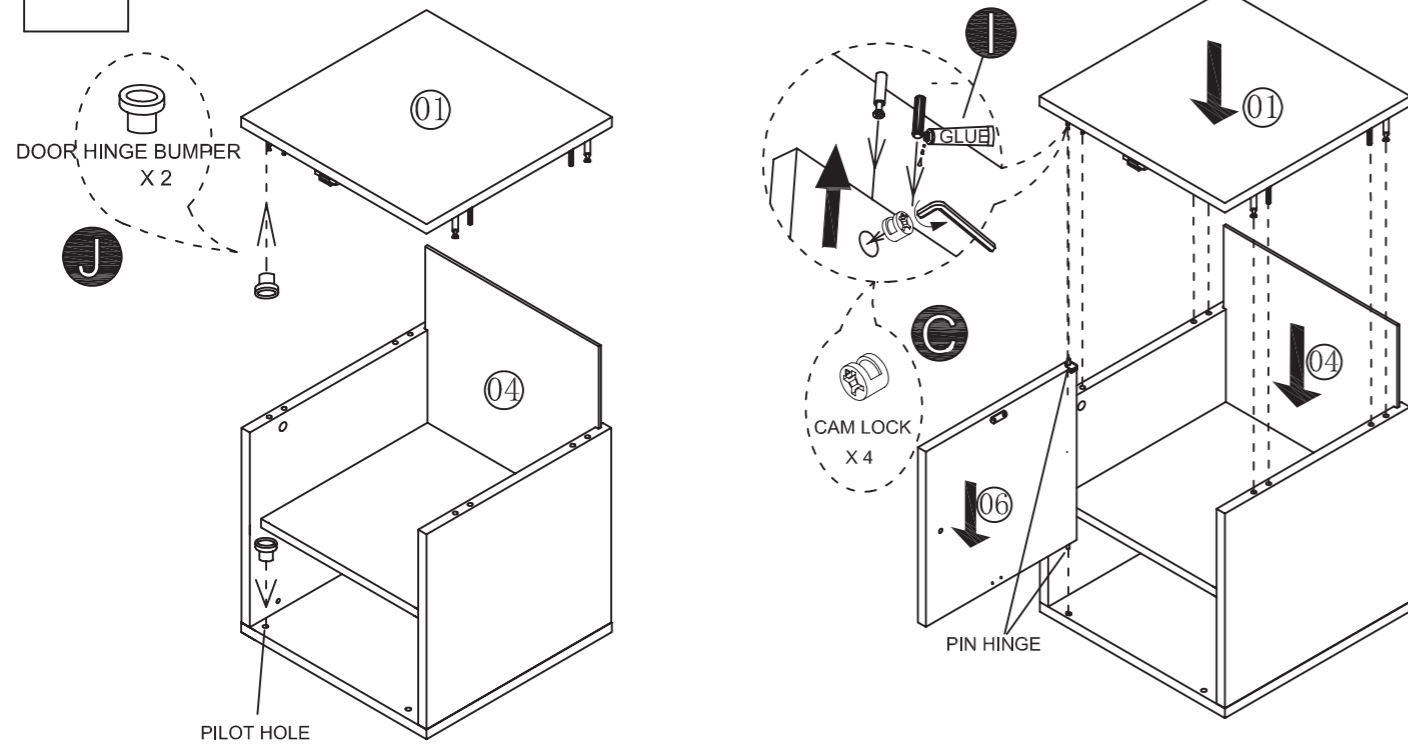
Premium Door Cube



Premium Door Cube

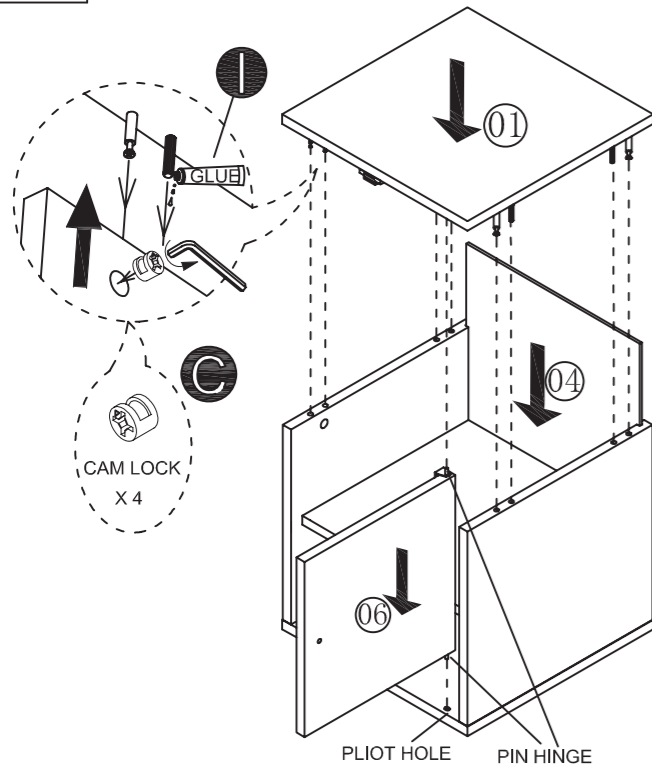
5

FOR DOOR HINGED LEFT

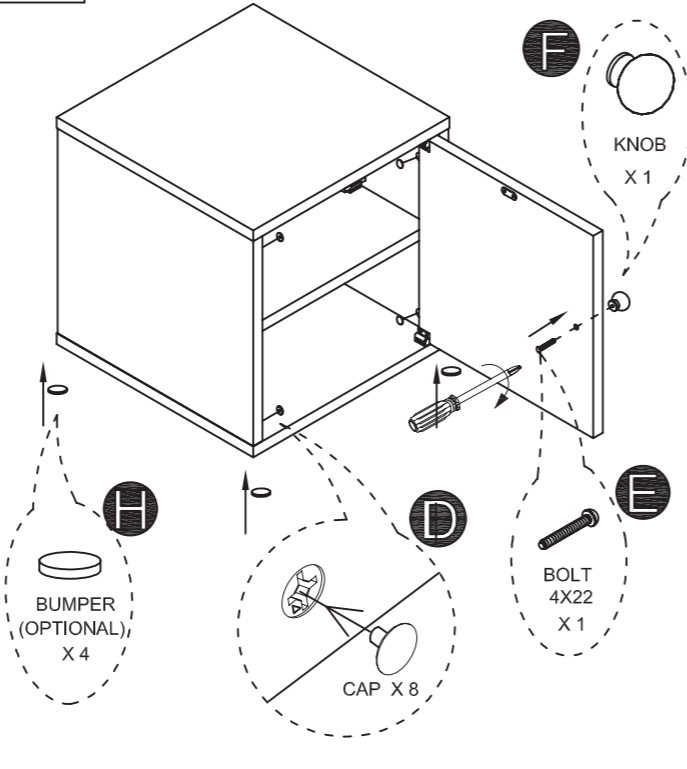


6

FOR DOOR HINGED RIGHT



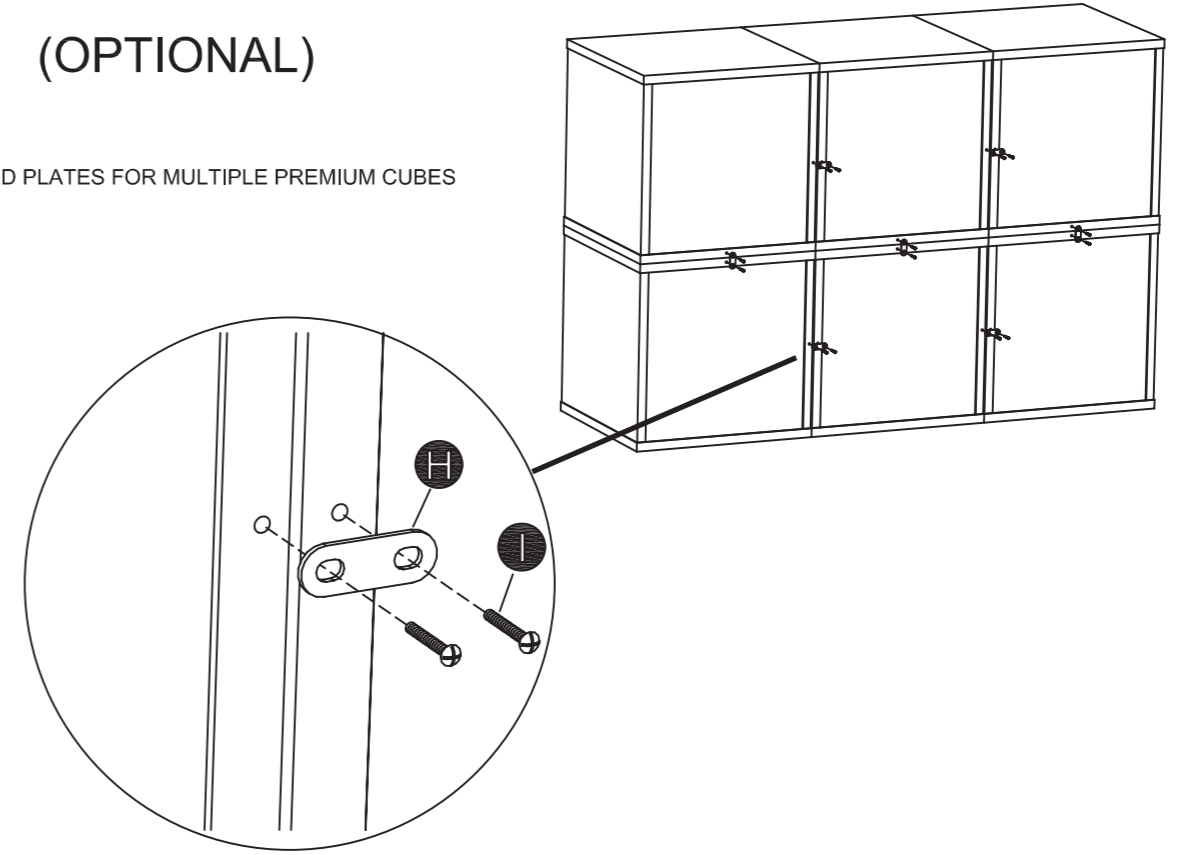
7



8

(OPTIONAL)

CONNECTED PLATES FOR MULTIPLE PREMIUM CUBES SETUP:



CARE & CLEANING:

- * Test cleaners in a discrete location first, such as the inside of a door/ panel, to ensure that there is no adverse reaction.
- * Do not expose furniture to direct sunlight, drying heat sources or dampness.
- * Dust frequently with a soft cloth in the direction of the grain.
- * Use only products specifically made for cleaning wood. Avoid using oily polishes, or products containing silicone.