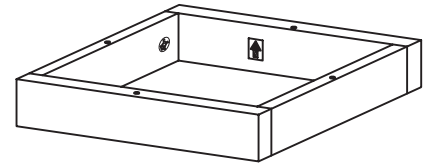
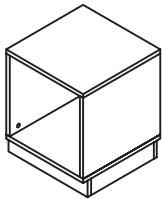


ASSEMBLY INSTRUCTIONS:

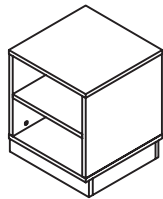
Thank you for purchasing the Premium Cube Base. This page lists all the contents included in the box. Please follow the step by step instructions. As you unpack, place all components on a protected surface to prevent scratching and damage.



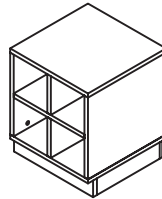
This base works with the following Premium Cubes:



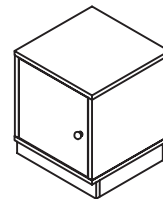
Open Cube



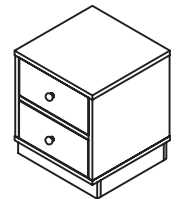
Divided Cube



Quartered Cube

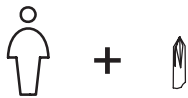


Door Cube






2-Drawer Cube

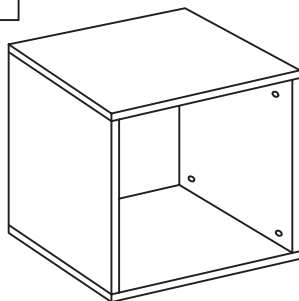
ASSEMBLY REQUIREMENTS:



HARDWARE:

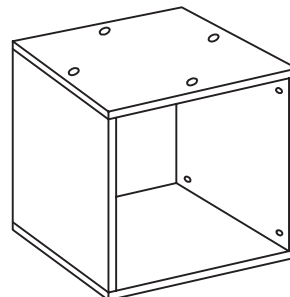
- (A) SCREW X 4 
- (B) GLUE X 1 
- (C) BUMPER X 4 

1

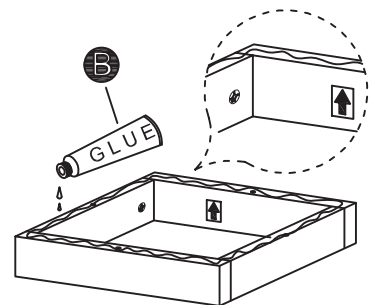


Bottom side up

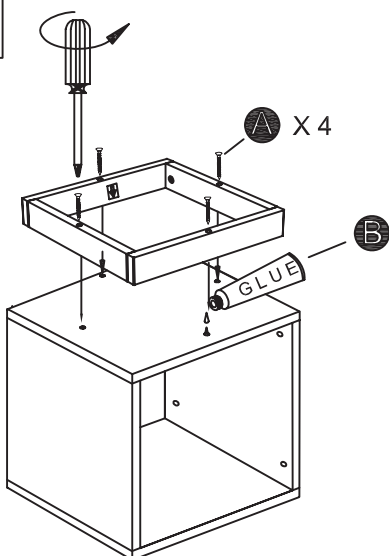
FLIP
FLIP



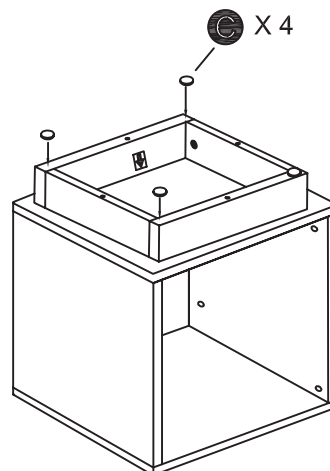
2



3



4



FLIP
FLIP

