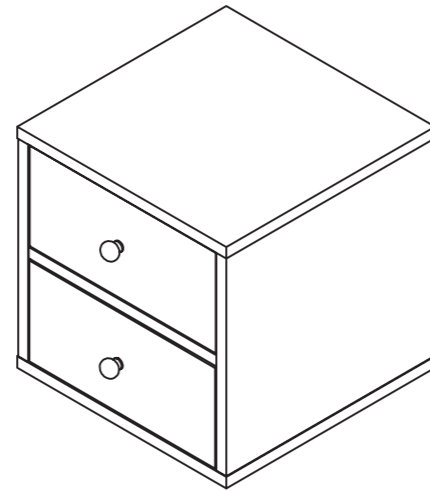


Premium 2-Drawer Cube

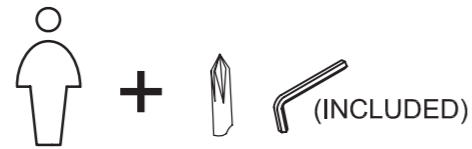
Questions?
Please call us at toll-free 1-888-CONTAIN

ASSEMBLY INSTRUCTIONS:

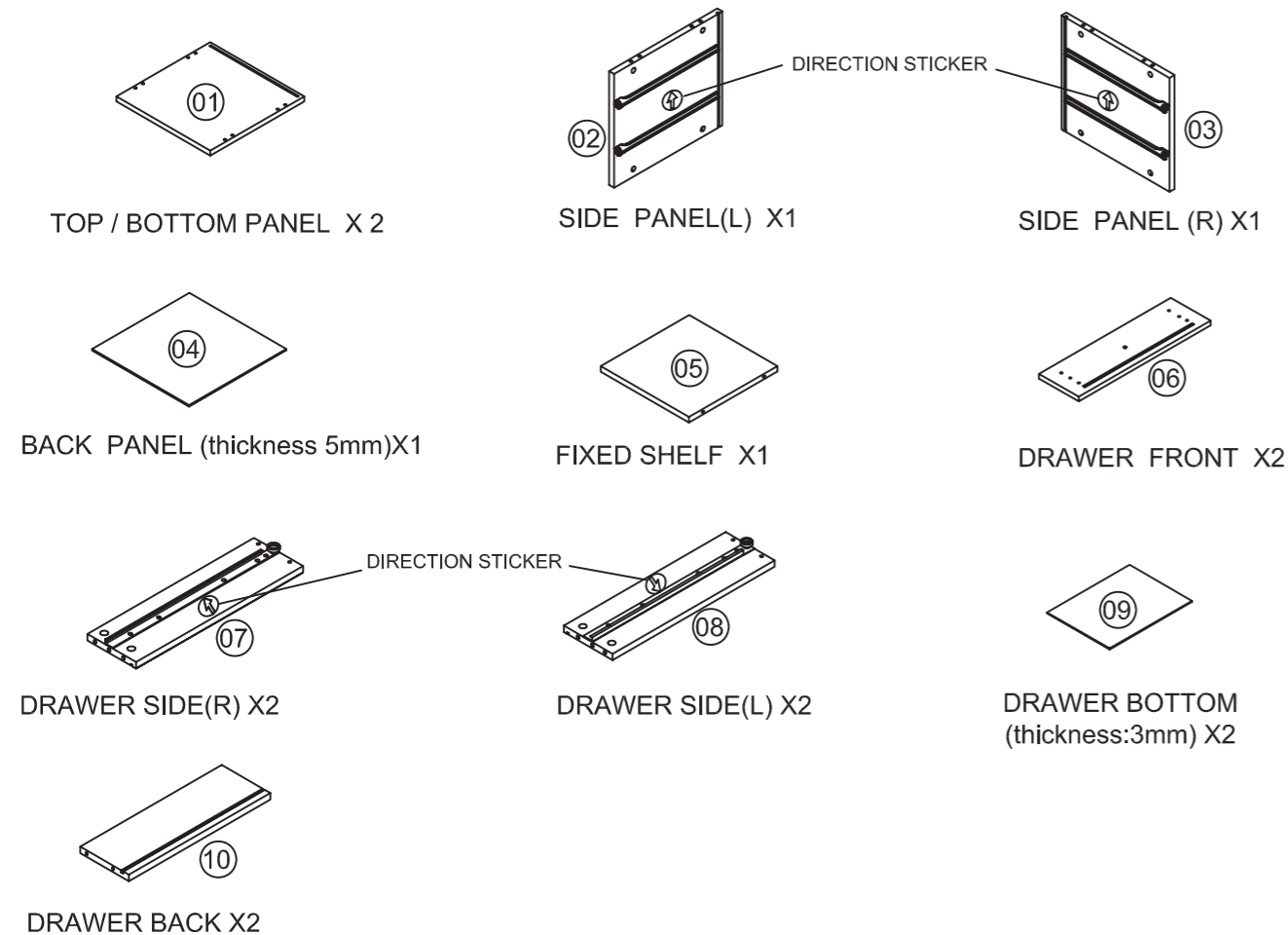
Thank you for purchasing the Premium 2-Drawer Cube. This page lists all the contents included in the box. Please follow the step by step instructions. As you unpack, place all components on a protected surface to prevent scratching and damage.



ASSEMBLY REQUIREMENTS:



PARTS:



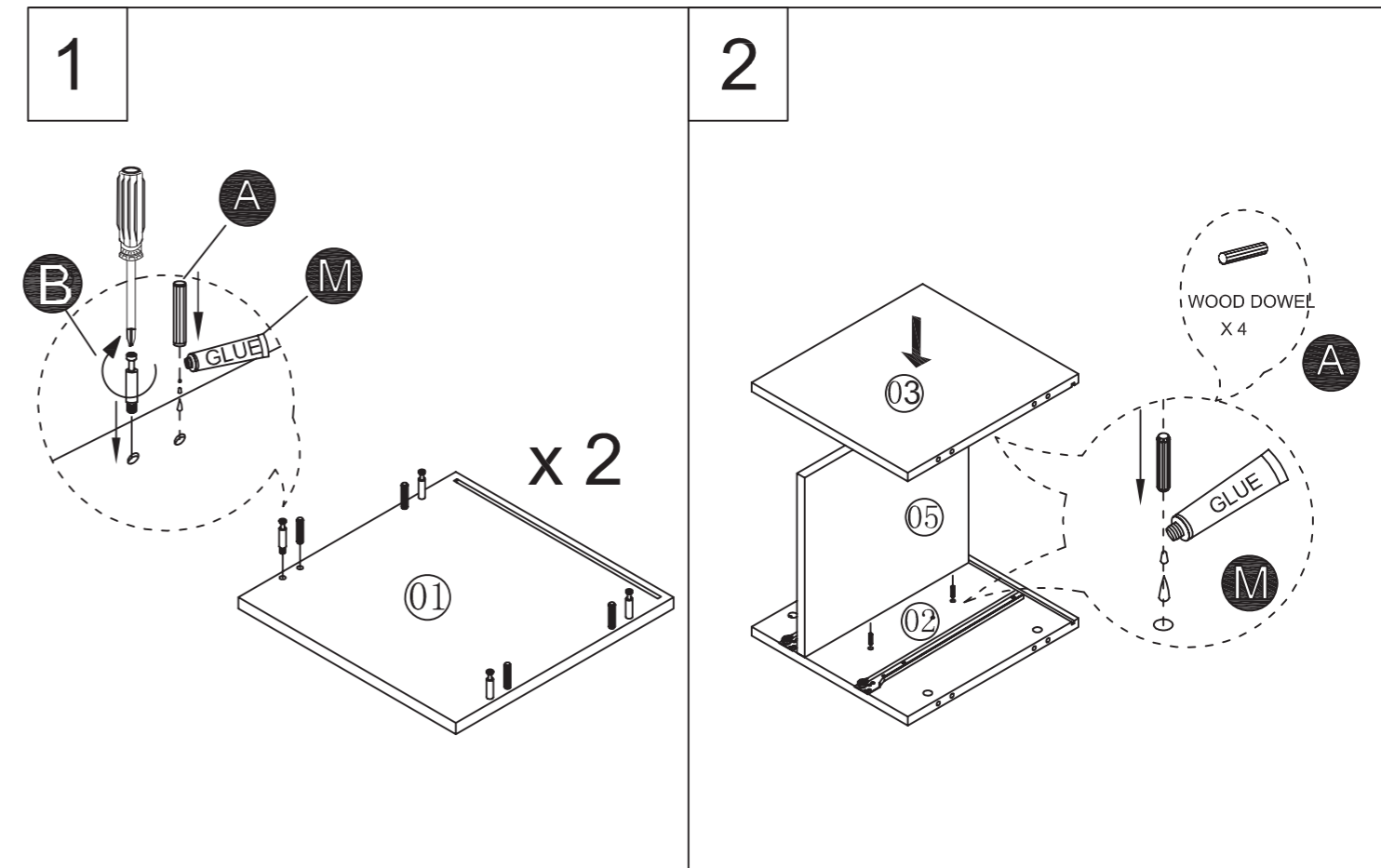
Premium 2-Drawer Cube

HARDWARE:

(A) WOOD DOWEL Ø8	X12		(B) CAM PIN	X 8	
(C) CAM LOCK	X 8		(D) CAP	X 8	

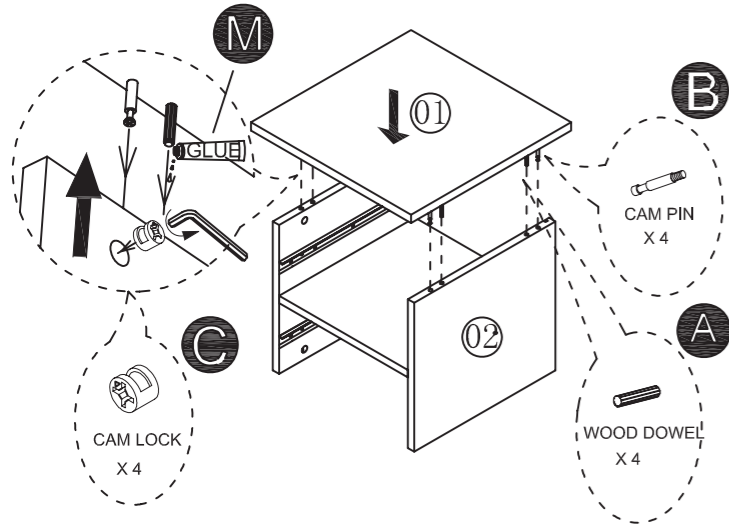
HARDWARE FOR DRAWERS:

(E) BOLT 4X22 FOR KNOB	X 2		(F) KNOB	X 2	
(G) SCREW M3.5X25 FOR DRAWER	X 8		(H) WOOD DOWEL Ø6 FOR DRAWER	X 4	
(I) CAM PIN (SMALL) FOR DRAWER	X 8		(J) CAM LOCK(SMALL) FOR DRAWER	X 8	
(K) ALLEN WRENCH	X 1		(L) BUMPER (OPTIONAL)	X 4	
(M) GLUE	X 1		(N) CONNECTED PLATE	X 2	
(O) CONNECTED PLATE SCREW	X 4				

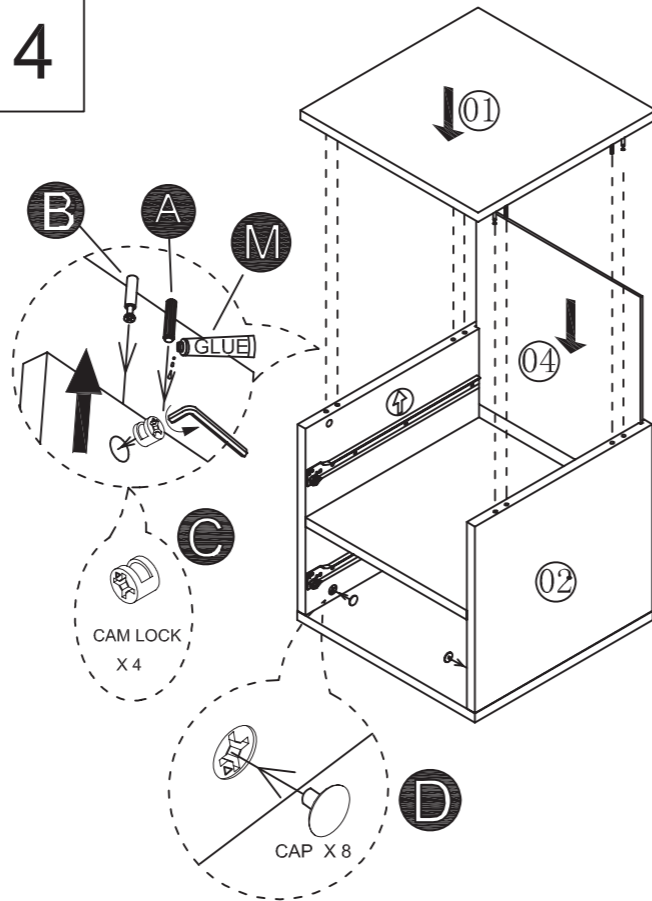


Premium 2-Drawer Cube

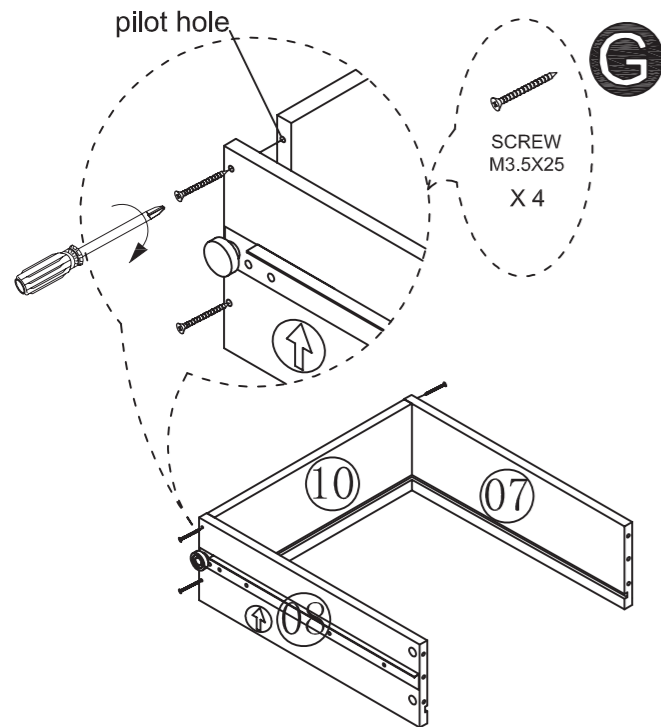
3



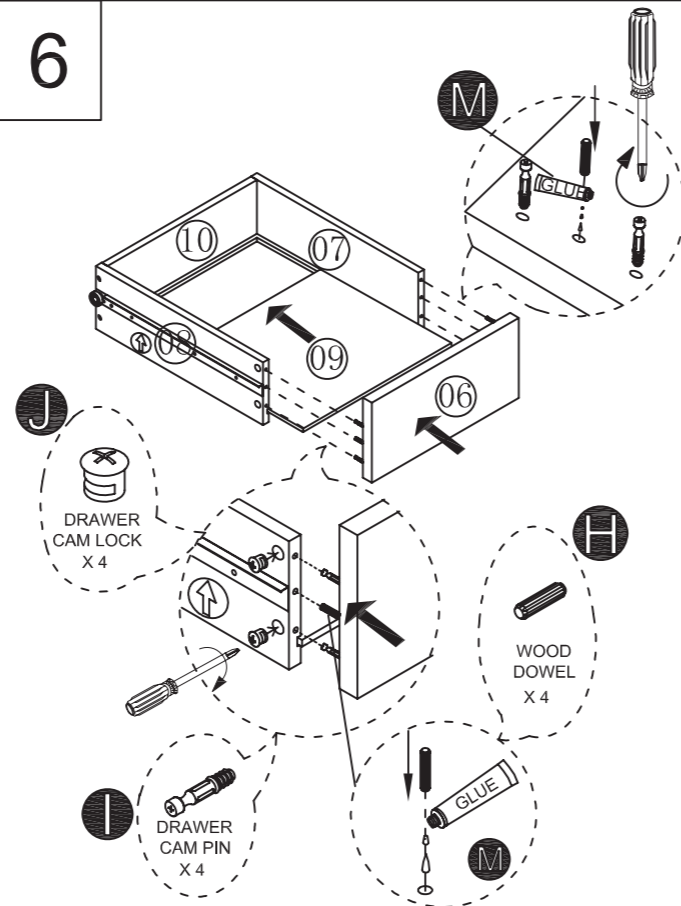
4



5



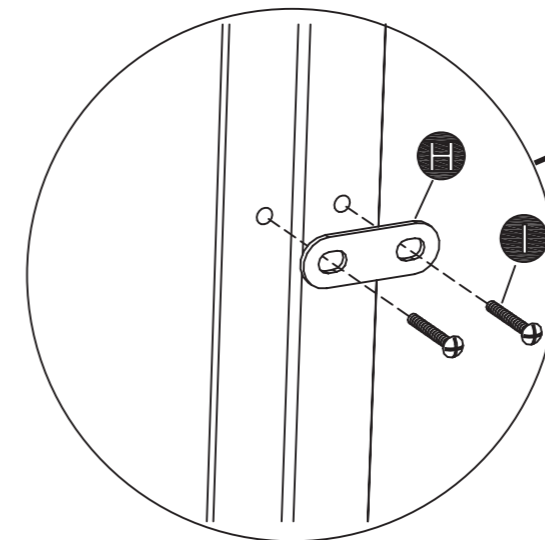
6



8

(OPTIONAL)

CONNECTED PLATES FOR MULTIPLE PREMIUM CUBES SETUP:



CARE & CLEANING:

- * Test cleaners in a discrete location first, such as the inside of a door/ panel, to ensure that there is no adverse reaction.
- * Do not expose furniture to direct sunlight, drying heat sources or dampness.
- * Dust frequently with a soft cloth in the direction of the grain.
- * Use only products specifically made for cleaning wood. Avoid using oily polishes or products containing silicone.