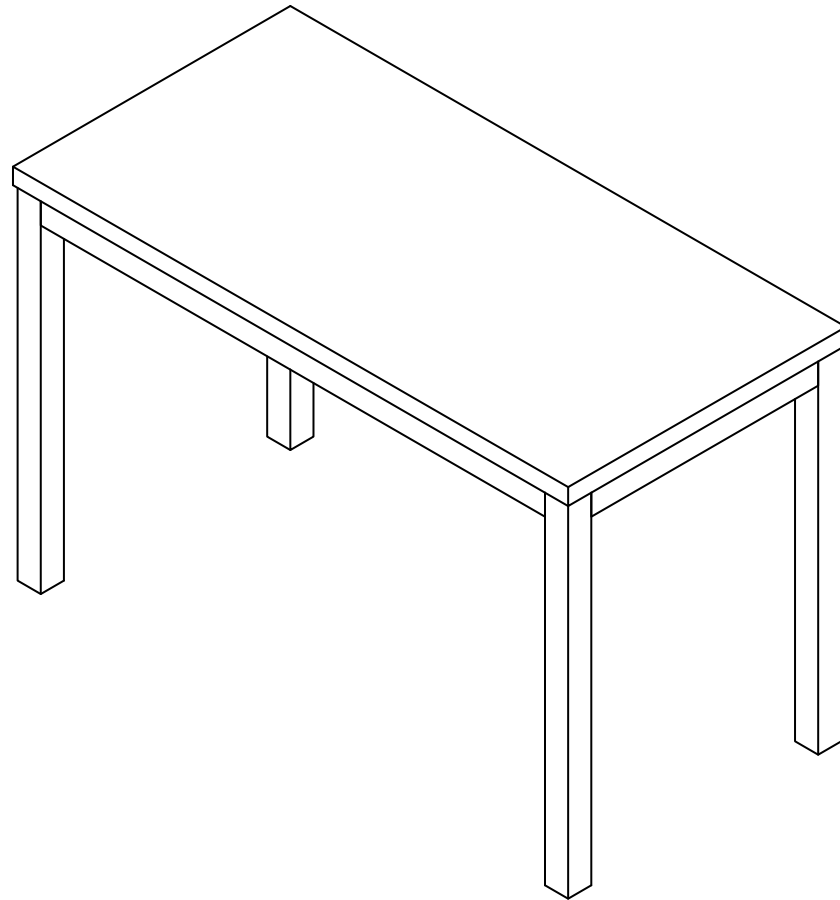


# The Container Store<sup>®</sup>

## Parsons Desk



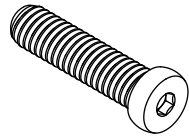
Thank you for purchasing the Parsons Desk. The next two pages list all of the contents included in the box. Please take the time to identify the hardware as well as the individual components of this product. As you unpack and prepare for assembly, place the contents on a carpeted or padded area to protect them from damage.

# Hardware

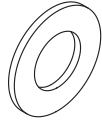
WARNING: Severe injury may occur if furniture tips over. Never allow children to climb or play on this product. Place heavier items on lower shelves as far back as possible and never overload.

---

(H1) x 8+1 extra  
bolt



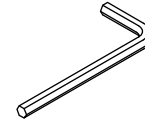
(H2) x 8+1 extra  
flat washer



(H3) x 8+1 extra  
lock washer



(H4) x 1  
allen wrench

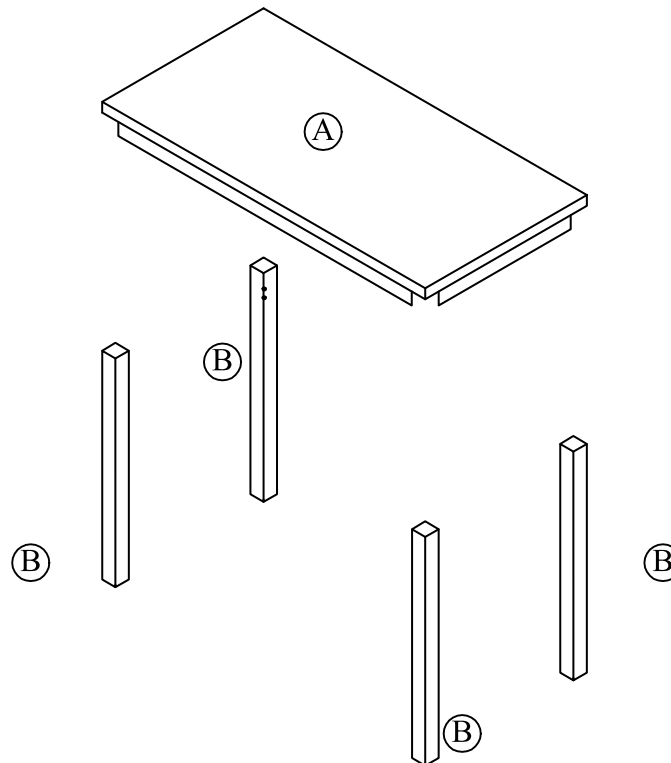


---

Item	Description	Quantity
------	-------------	----------

---

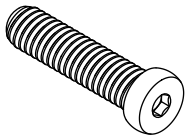
A	Desktop	1
B	Leg	4



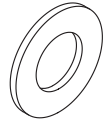
# step 1.

---

(H1) x 8+1 extra  
bolt



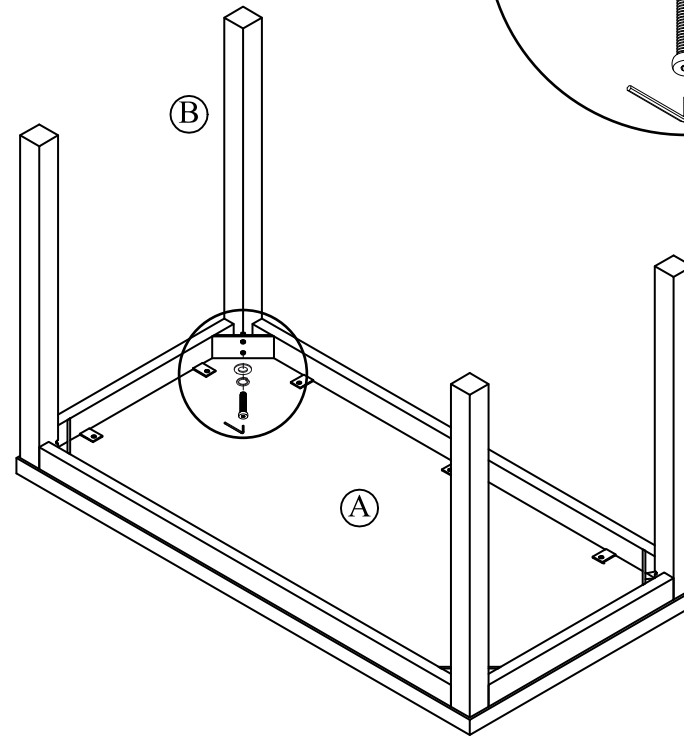
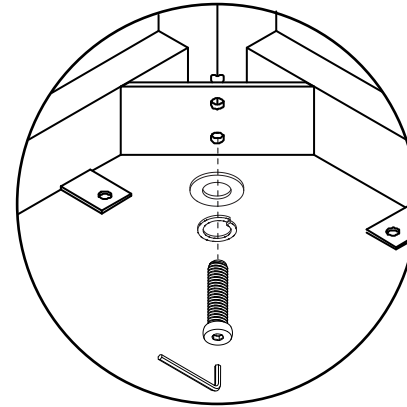
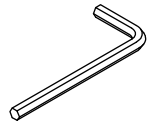
(H2) x 8+1 extra  
flat washer



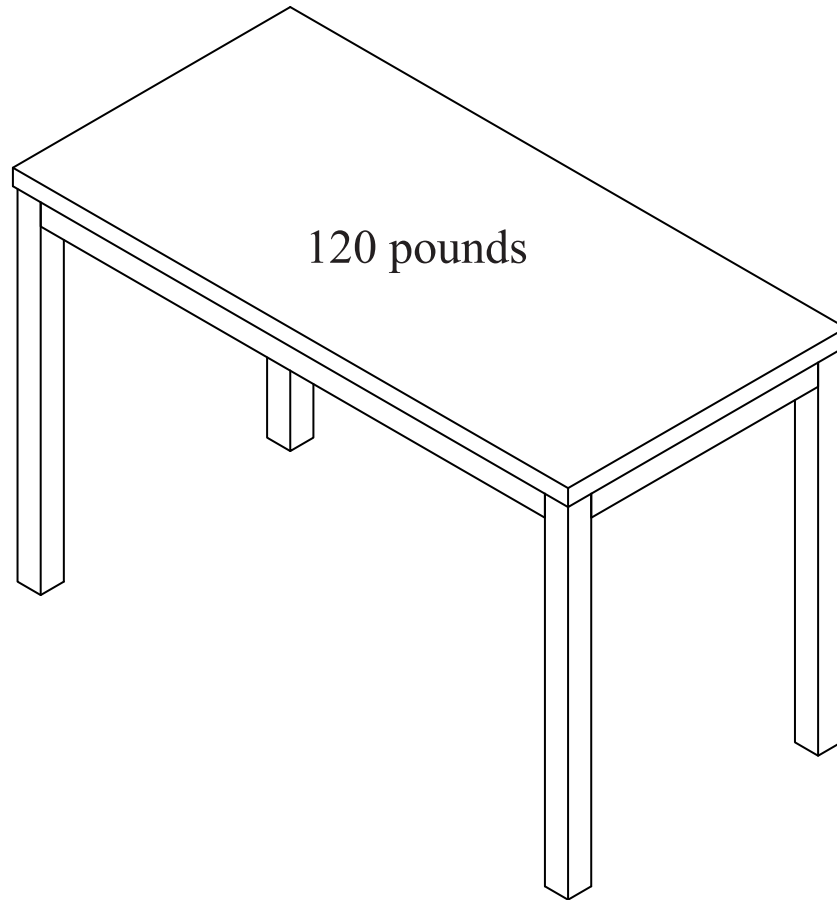
(H3) x 8+1 extra  
lock washer



(H4) x 1  
allen wrench



1. Insert both bolts into each leg before tightening.
2. Do not overtighten.



Do not exceed the recommended weight limits on the designated panels. Exceeding these limits could cause sagging, possibly resulting in failure of the panel or bodily injury.