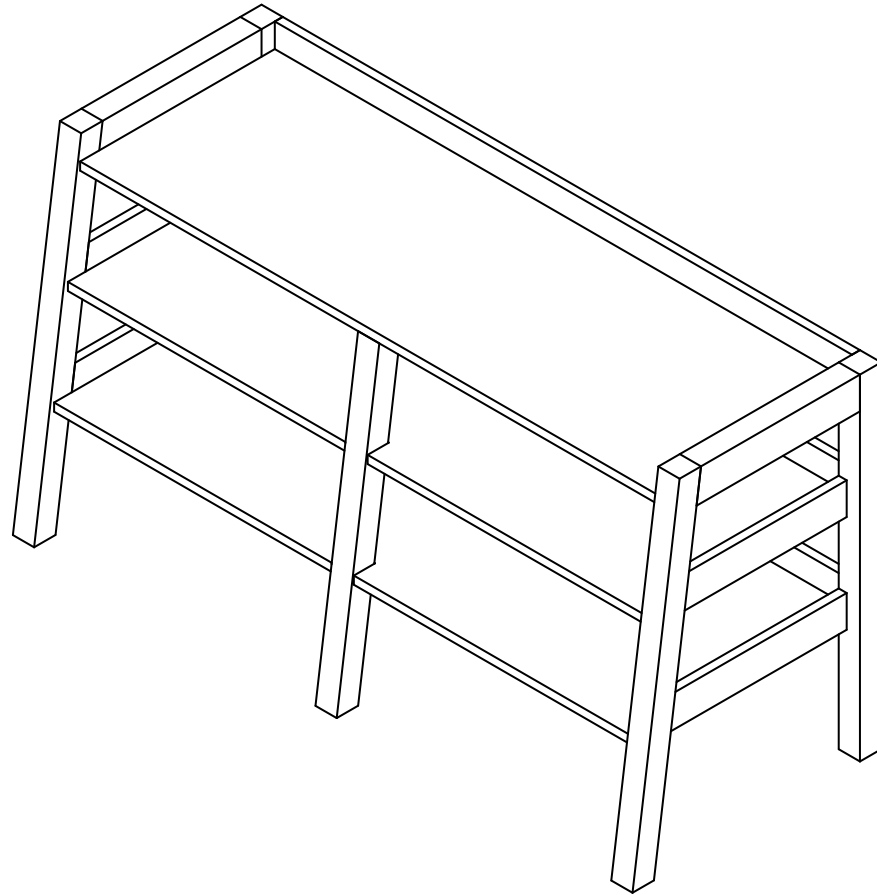


The Container Store[®]

Linea Media Stand

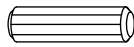


Thank you for purchasing the Linea Media Stand. The next two pages list all of the contents included in the box. Please take the time to identify the hardware as well as the individual components of this product. As you unpack and prepare for assembly, place the contents on a carpeted or padded area to protect them from damage.

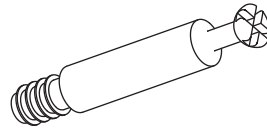
Hardware

WARNING: Severe injury may occur if furniture tips over. Never allow children to climb or play on this product. Place heavier items on lower shelves as far back as possible and never overload.

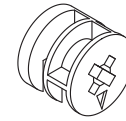
(H1) x 12+1 extra
wooden dowel



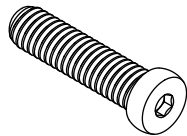
(H2) x 18+1 extra
cam bolt



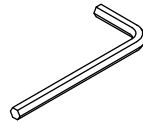
(H3) x 18+1 extra
cam lock



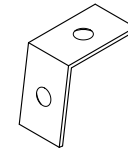
(H4) x 8+1 extra
bolt



(H5) x 1
allen wrench



(H6) x 3
corner bracket

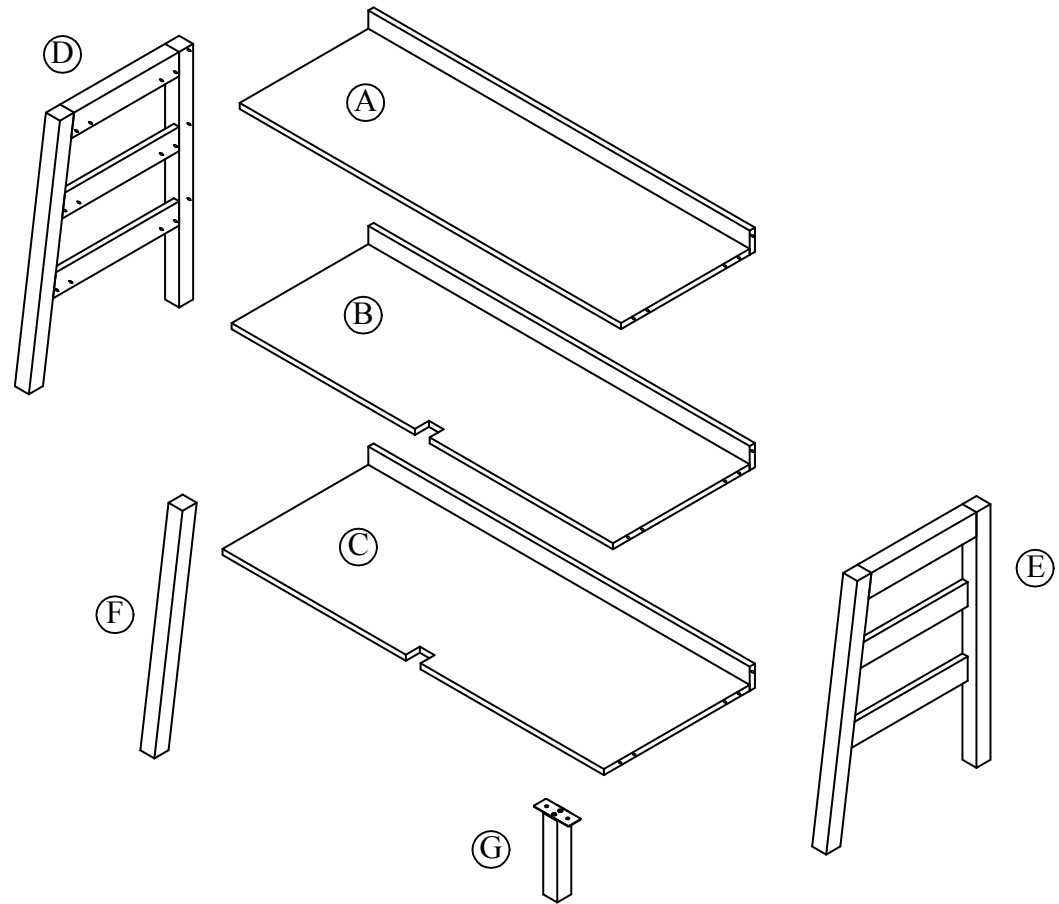


Tools:

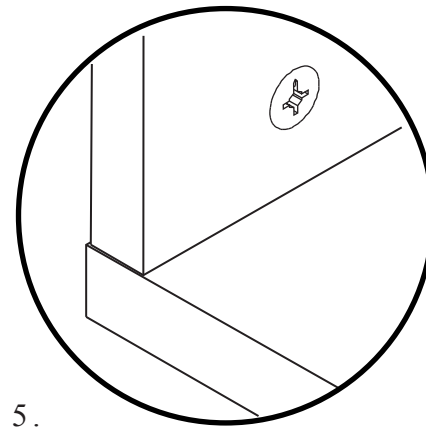
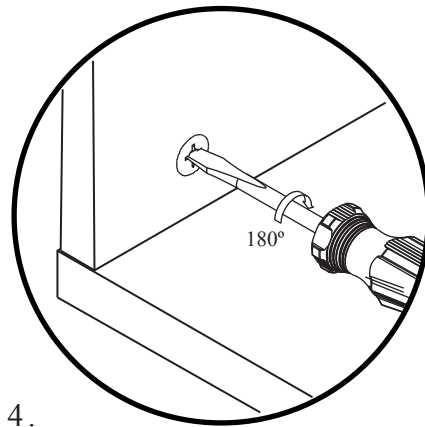
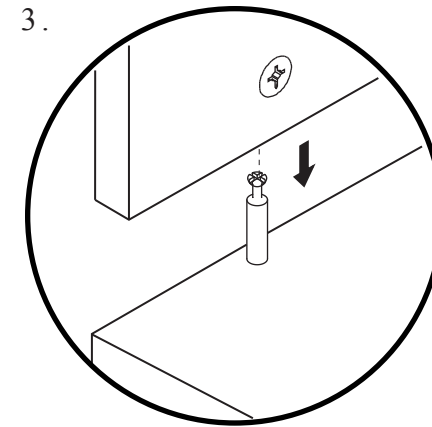
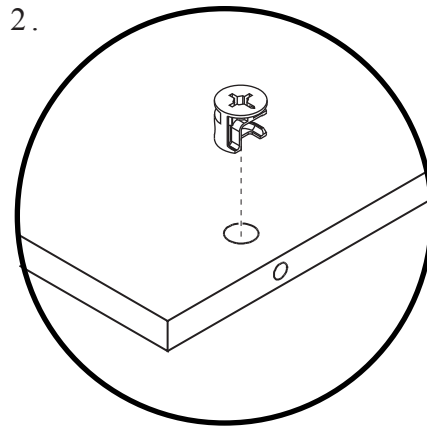
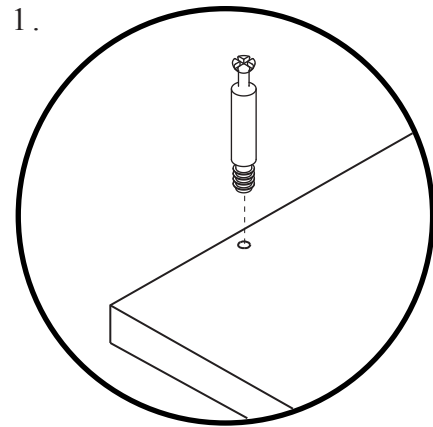
You will need Phillips and flathead screwdrivers and you may choose to use a mallet/hammer to tap dowels into place.

Item Description Quantity

A	Top Shelf	1
B	Middle Shelf	1
C	Bottom Shelf	1
D	Left Side Assembly	1
E	Right Side Assembly	1
F	Front Leg	1
G	Rear Leg	1



how to use the cam lock system:

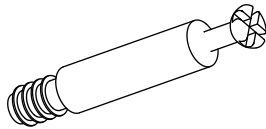


step 1.

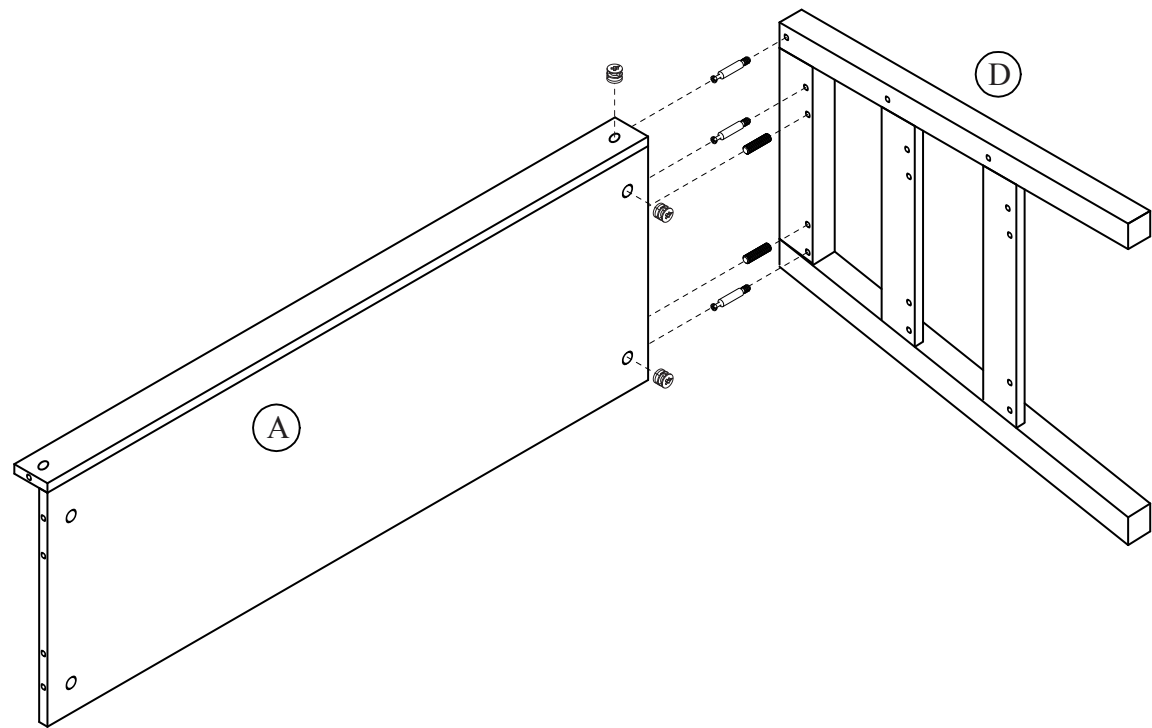
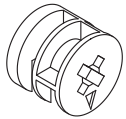
(H1) x 6
wooden dowel



(H2) x 9
cam bolt



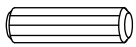
(H3) x 9
cam lock



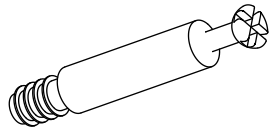
1. Refer to cam lock instruction page.
2. Repeat to assemble parts B & C.

step 2.

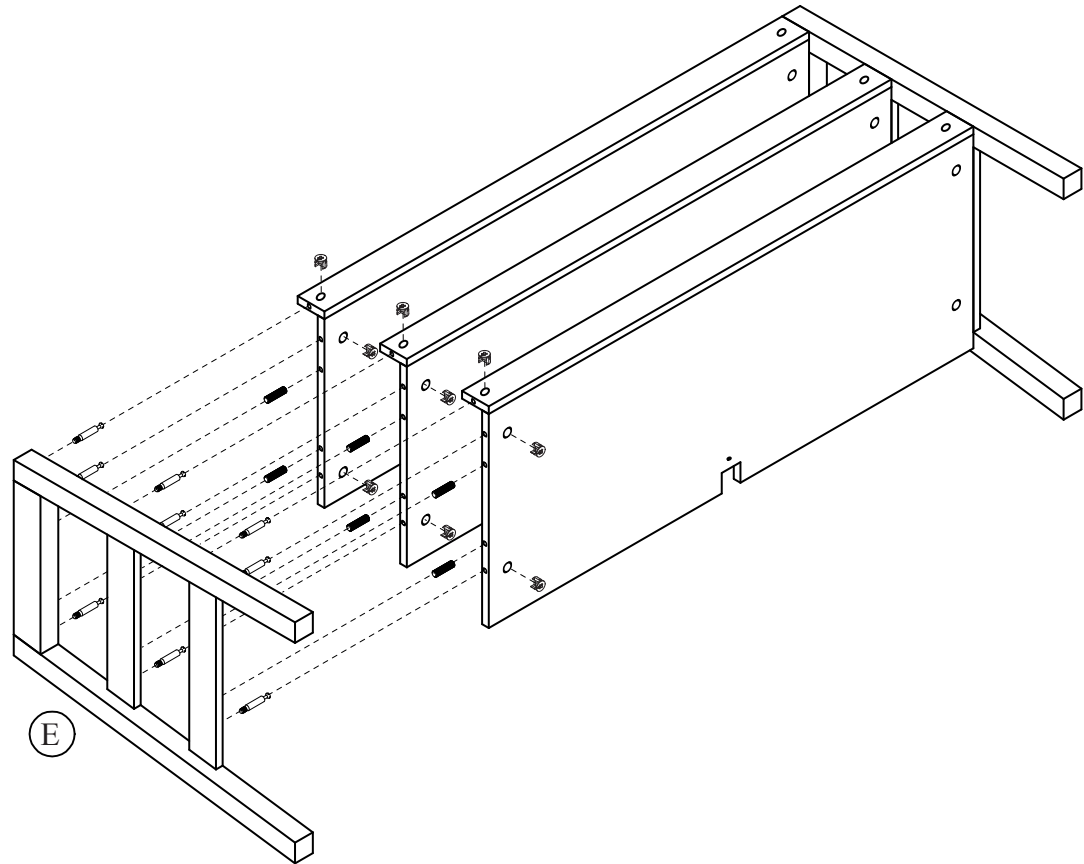
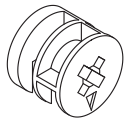
(H1) x 6
wooden dowel



(H2) x 9
cam bolt

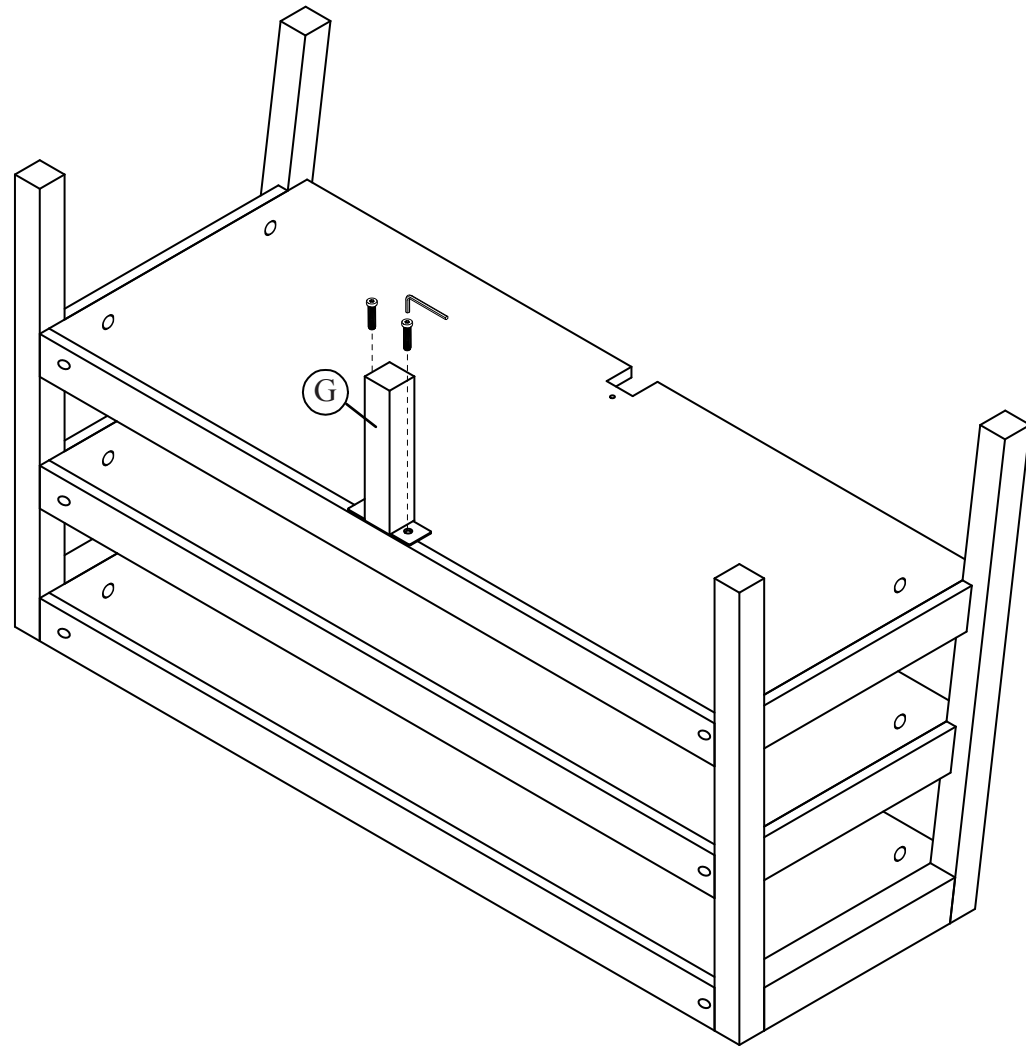


(H3) x 9
cam lock

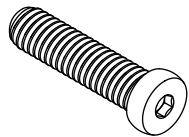


1. Refer to cam lock instruction page.

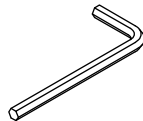
step 3.



(H4) x 2
bolt

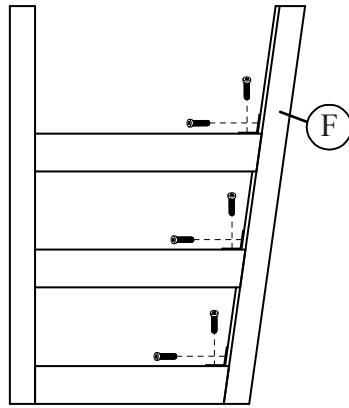


(H5) x 1
allen wrench

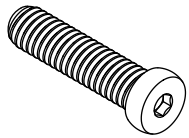


step 4.

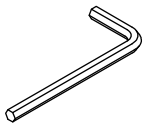
side view



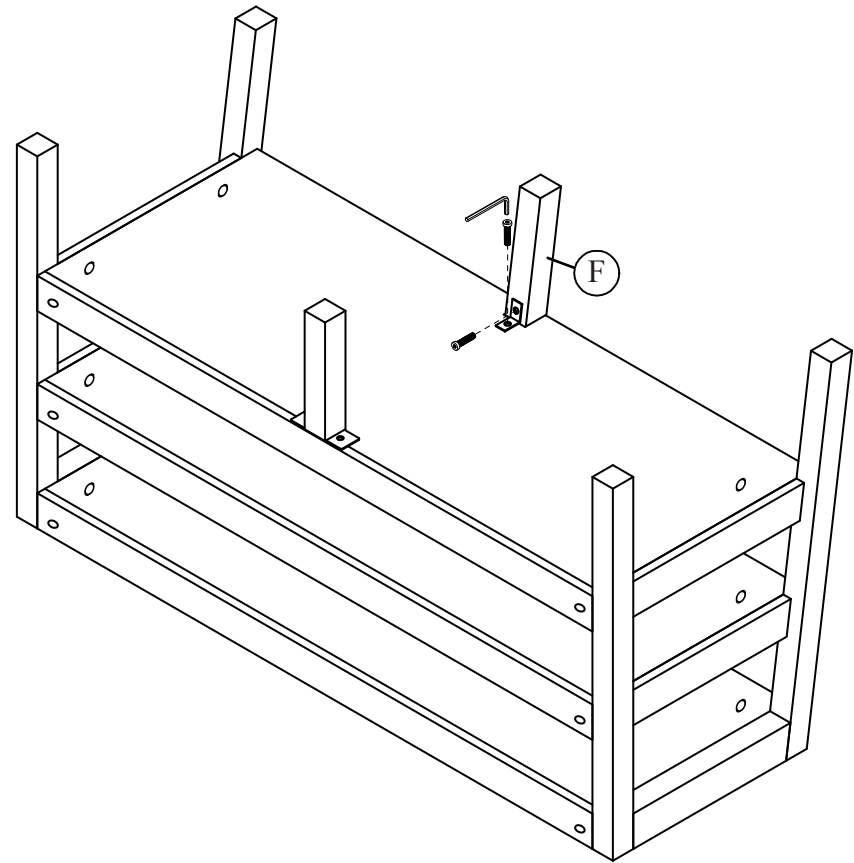
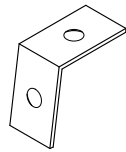
(H4) x 6
bolt

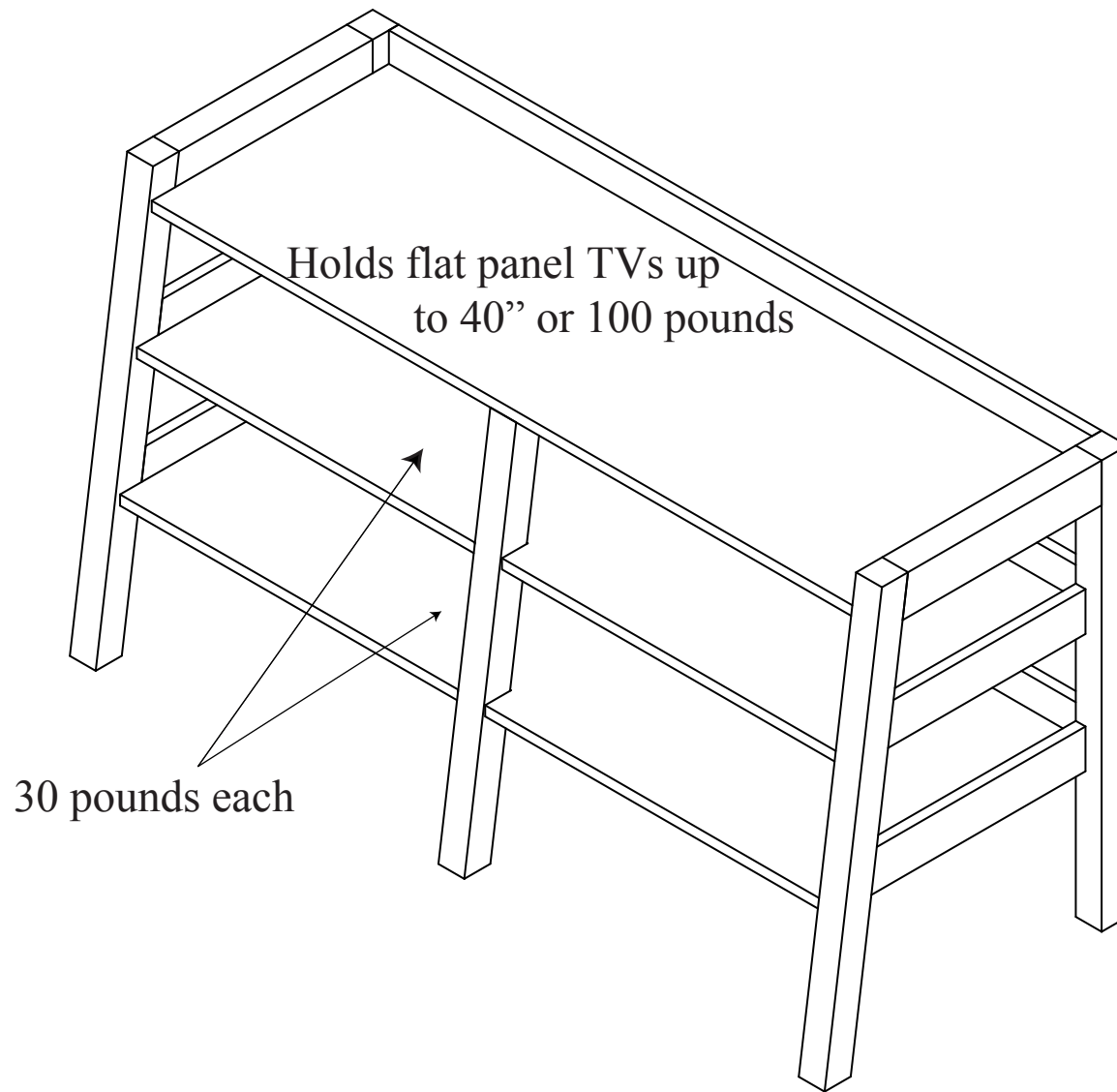


(H5) x 1
allen wrench



(H6) x 3
corner bracket





Do not exceed the recommended weight limits on the designated panels. Exceeding these limits could cause sagging, possibly resulting in failure of the panel or bodily injury.