

Connections® Media Shelf / Extended Desk Shelf

Questions?
Please call us at toll-free 1-888-CONTAIN

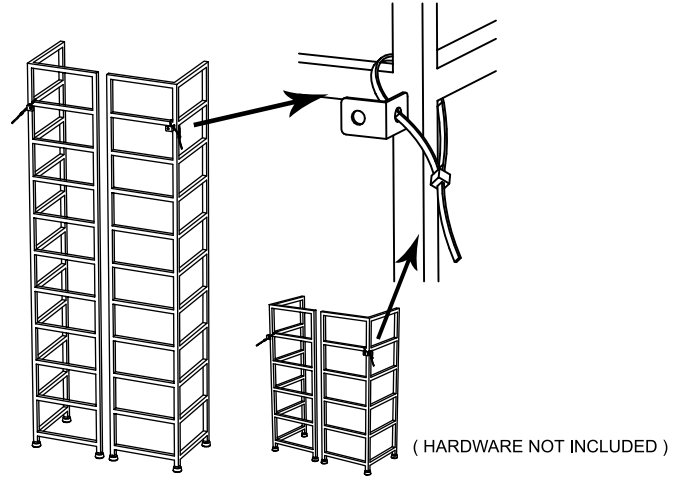
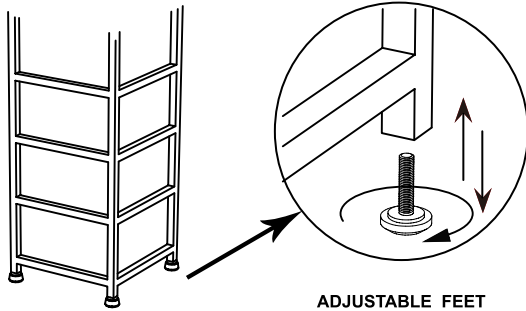
ATTENTION:

FOR SAFE INSTALLATION THE CONNECTIONS® MEDIA SHELF AND CONNECTIONS® EXTENDED DESK SHELF MUST BE FASTENED TO THE CONNECTIONS® UPRIGHTS, AND THE UPRIGHTS MUST BE FASTENED TO THE WALL.

ANTI-TIP KIT FOR CONNECTIONS® UPRIGHTS IS **REQUIRED** FOR MEDIA SHELF / EXTENDED SHELF SET UP.

PLEASE SEE CONNECTIONS® UPRIGHTS ANTI-TIP KIT ASSEMBLY INSTRUCTION FOR DETAIL.

- ⊘ DO NOT SIT ON MEDIA SHELF / EXTENDED DESK SHELF.
- ⊘ DO NOT LOAD MORE THAN 80 POUNDS MEDIA SHELF / EXTENDED DESK SHELF.
- ⊘ DO NOT APPLY EXCESSIVE PRESSURE TO THE FRONT EDGE OF THE SHELVES.



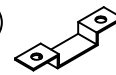
HARDWARE: (FOR EACH SHELF)

(A)

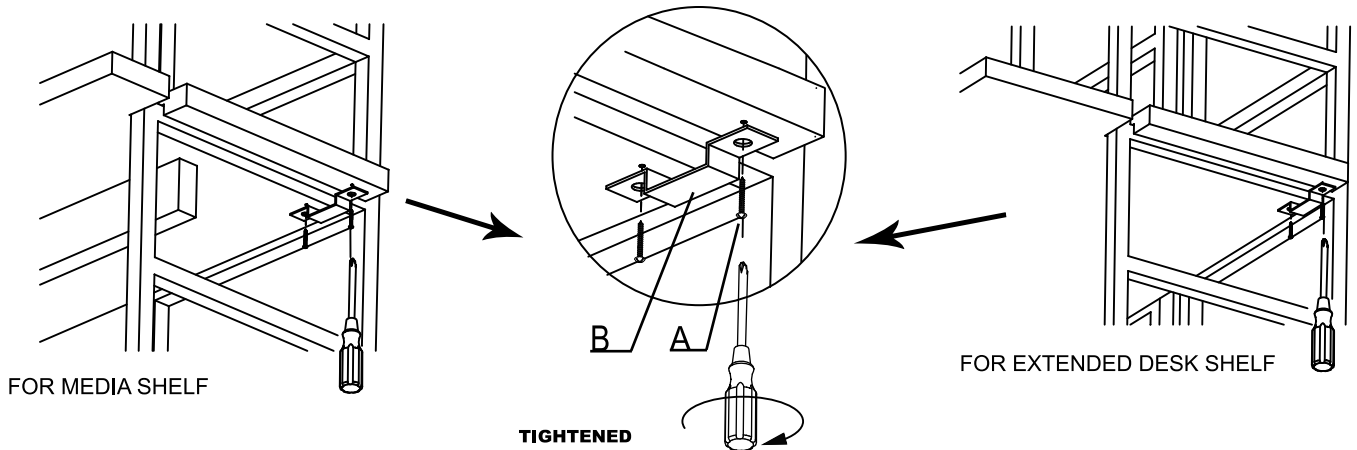


SCREW X 4

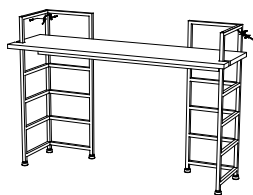
(B)



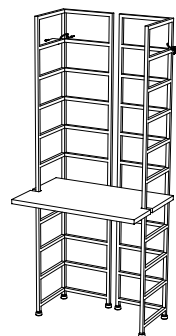
"U" METAL BRACKET X 2



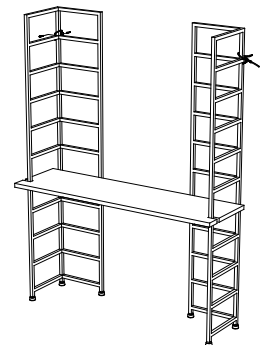
EXTENDED DESK SHELF WITH
6 - RUNG UPRIGHT.



MEDIA SHELF WITH
6 - RUNG UPRIGHT.



EXTENDED DESK SHELF WITH
11 - RUNG UPRIGHT.



MEDIA SHELF WITH
11 - RUNG UPRIGHT.