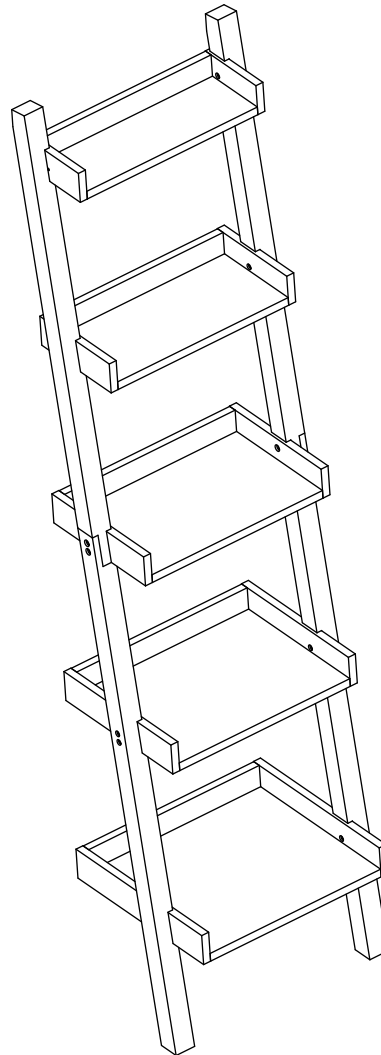


Assembly Instructions Linea Leaning Bookcase Narrow

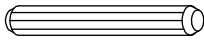


Thank you for purchasing the Leaning Bookcase. The next two pages list all of the contents included in the box. Please take the time to identify the hardware as well as the individual components of this product. As you unpack and prepare for assembly, place the contents on a carpeted or padded area to protect them from damage.

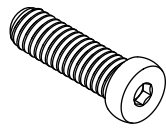
Hardware

WARNING: Severe injury may occur if furniture tips over. Never allow children to climb or play on this product. Place heavier items on lower shelves as far back as possible and never overload. Follow all instructions listed in this assembly guide and always use the anti-tip hardware to mount unit to a wall.

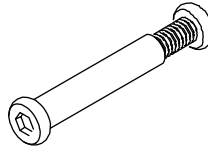
(H1) x 4+1 extra
long dowel



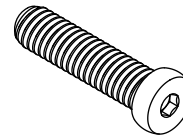
(H2) x 8+1 extra
short bolt



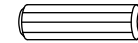
(H3) x 2+1 extra
binding screw



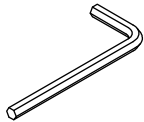
(H4) x 2+1 extra
long bolt



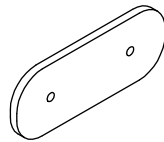
(H5) x 8+1 extra
short dowel



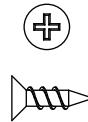
(H6) x 2
allen wrench



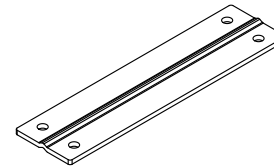
(H7) x 2
mending plate



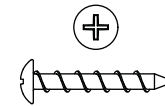
(H8) x 4+1 extra
flathead screw



(H9) x 2
support bracket

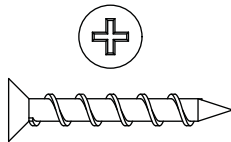


(H10) x 8+1 extra
panhead screw

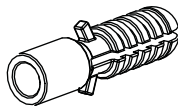


Anti-Tip Hardware

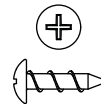
(H11) x 1
38mm wall screw



(H12) x 1
wall anchor



(H13) x 1
panhead screw



(H14) x 1
wall strap

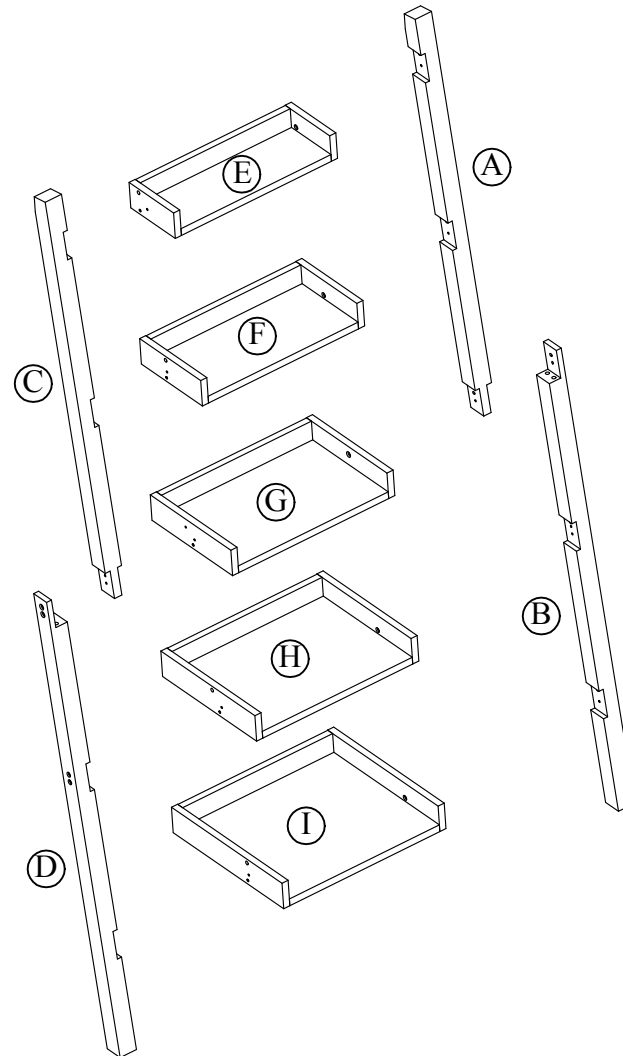


Tools:

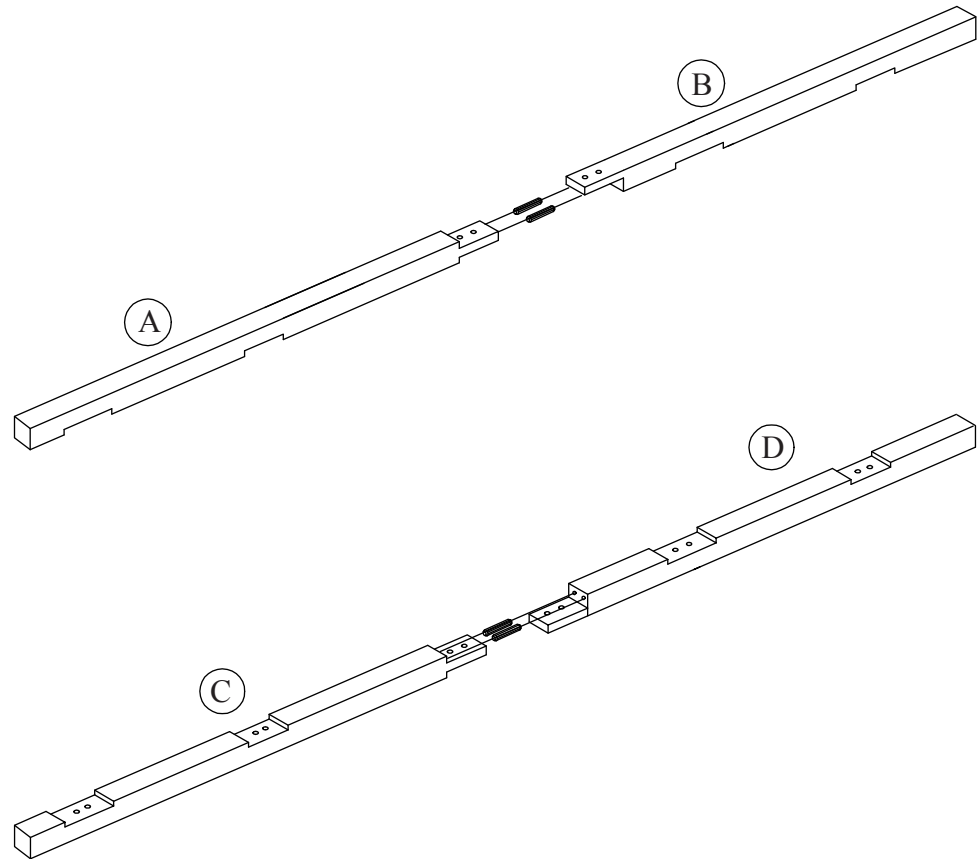
You may choose to use a mallet/hammer to tap dowels in. A screwdriver and drill will be required to complete assembly of the anti-tip strap.

Item	Description	Quantity
------	-------------	----------

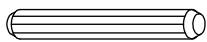
A	Right side upper leg	1
B	Right side lower leg	1
C	Left side upper leg	1
D	Left side lower leg	1
E	Top Shelf	1
F	Second Shelf	1
G	Third Shelf	1
H	Fourth Shelf	1
I	Bottom Shelf	1



step 1.



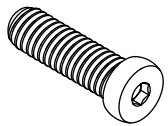
(H1) x 4
long dowel



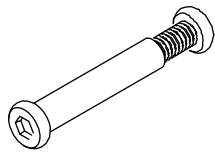
1. Use two long dowels to assemble each leg.
2. Make sure the dowels are fully inserted.

step 2.

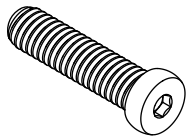
(H2) x 4
short bolt



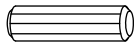
(H3) x 1
binding screw



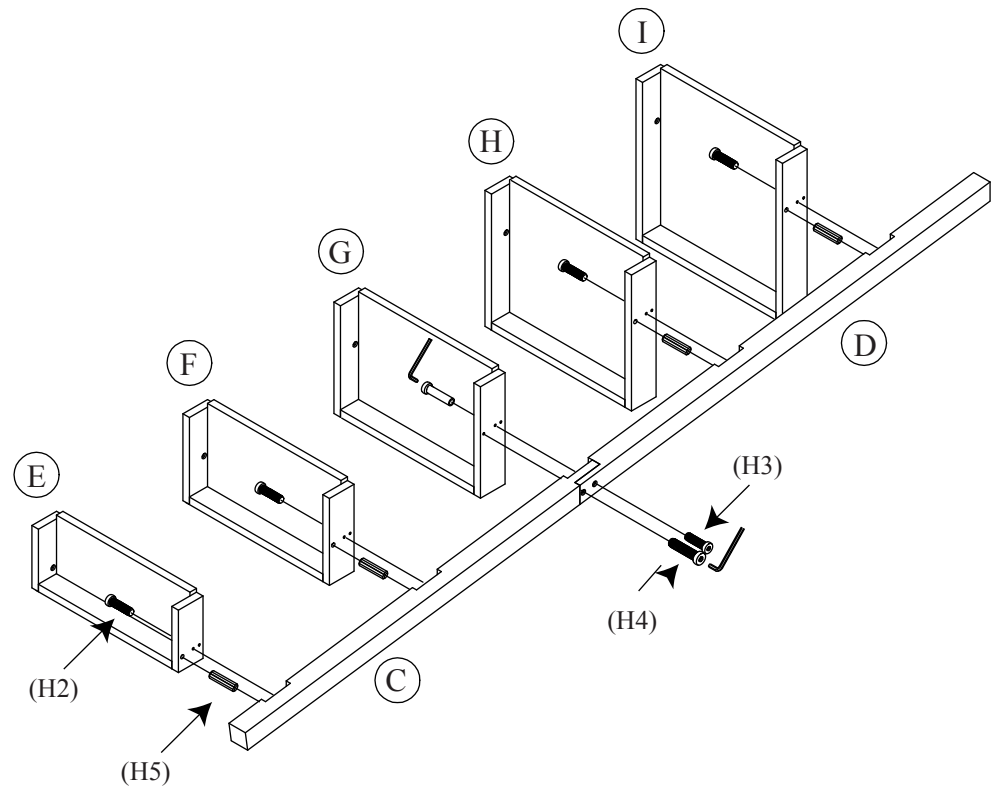
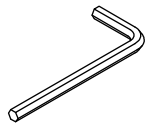
(H4) x 1
long bolt



(H5) x 4
short dowel

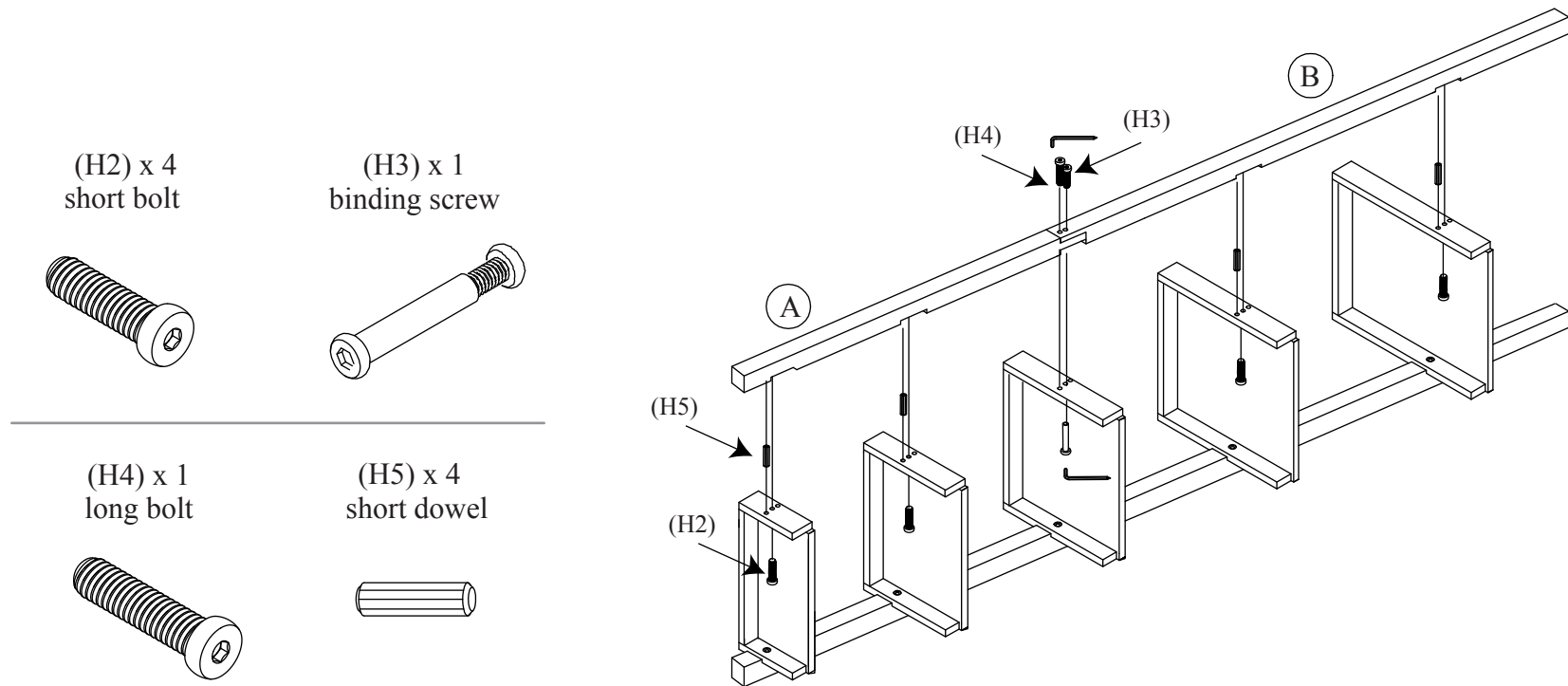


(H6) x 2
allen wrench



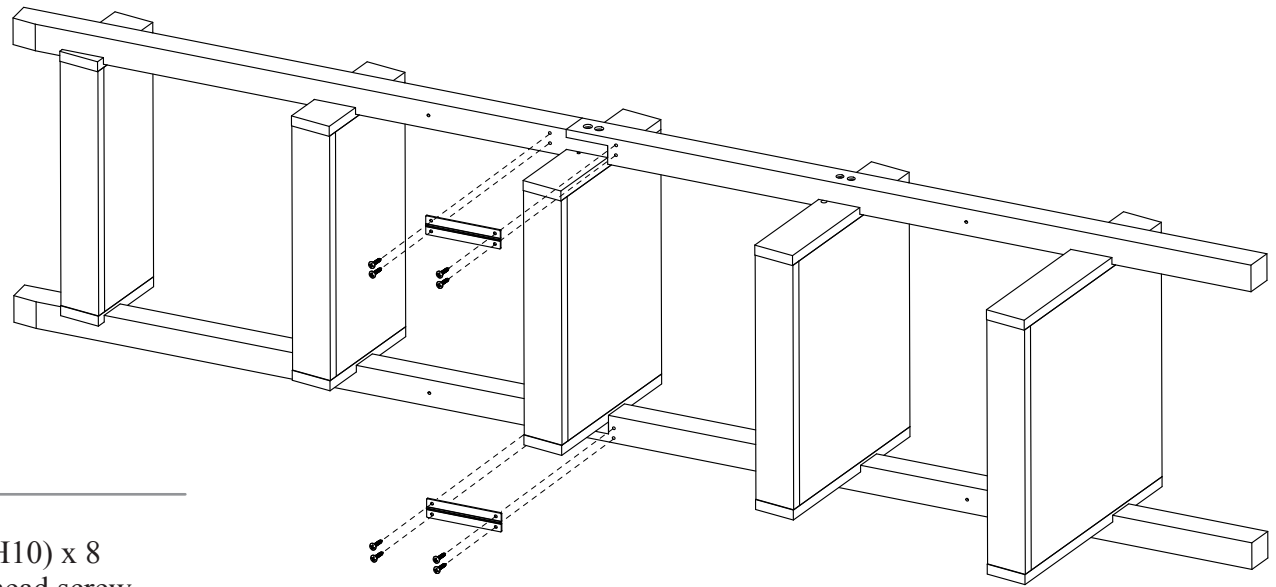
1. Fasten Third Shelf [G] to the Leg Assembly [CD] using a long bolt and a binding screw.
2. Each remaining shelf is attached using a short bolt and a short dowel.

step 3.



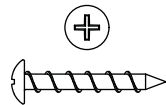
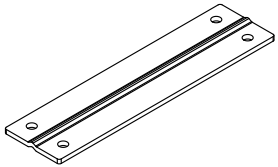
1. Fasten right leg assembly [AB] to Third Shelf [G] using a long bolt and binding screw.
2. Use the short bolts and short dowels to fasten the right leg assembly to the remaining shelves.

step 4.



(H9) x 2
support bracket

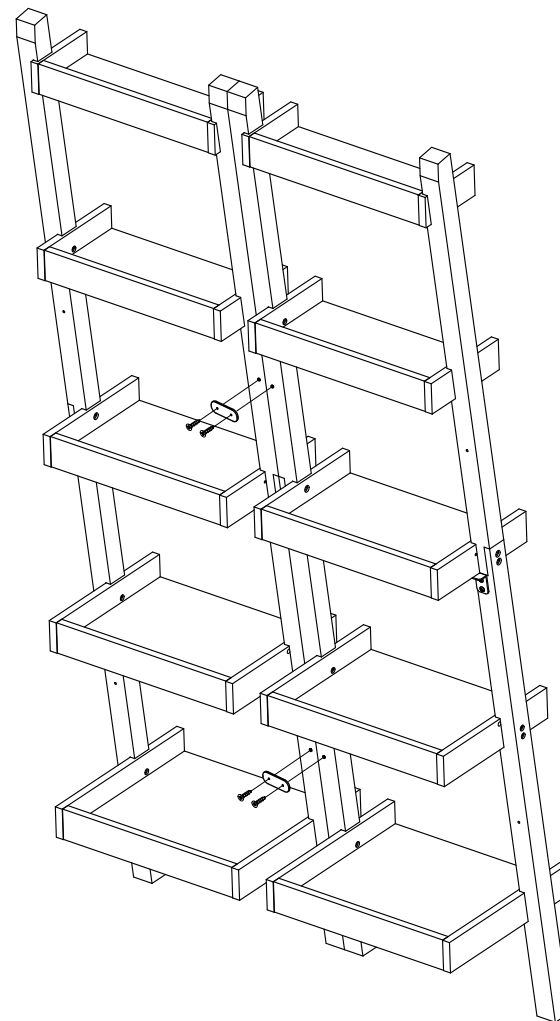
(H10) x 8
panhead screw



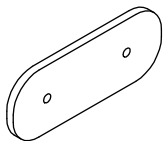
1. Locate pilot holes on the backs of the legs.
2. Use the panhead screws to attach support brackets.

step 5.

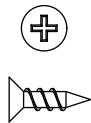
If you have purchased multiple leaning bookcases or desks, use the mending plates to connect multiple units together.



(H7) x 2
mending plate



(H8) x 4
flathead screw



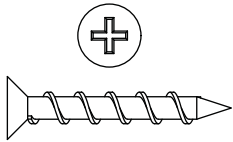
1. Locate pilot holes on the backs of the legs.
2. Use the small flathead screws to attach the mending plates.

step 6.

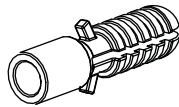
This product must always be mounted to a wall. It is essential to use wall anchors appropriate to your wall type (e.g. plaster, drywall, etc). If you are unsure about your wall type or which mounting method you should use, consult a qualified professional. Mount to wood studs whenever possible.

- 1 Locate the pilot hole and attach the wall strap to the back of the shelf with the pan head screw.

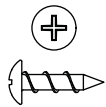
(H11) x 1
38mm wall screw



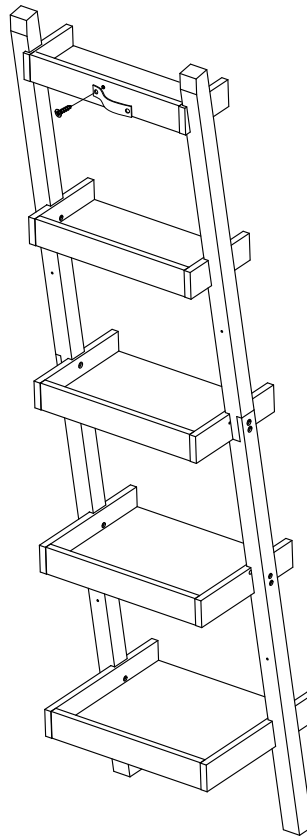
(H12) x 1
wall anchor



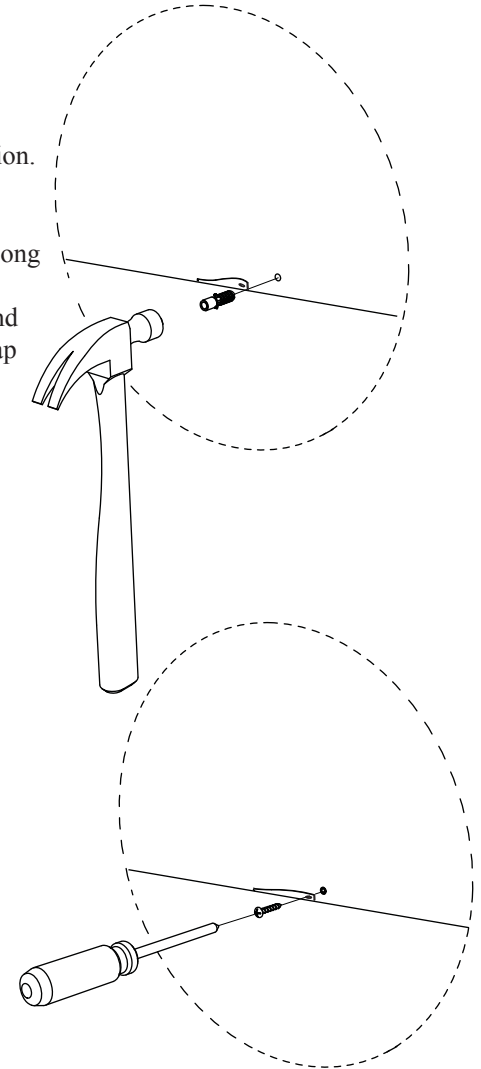
(H13) x 1
panhead screw

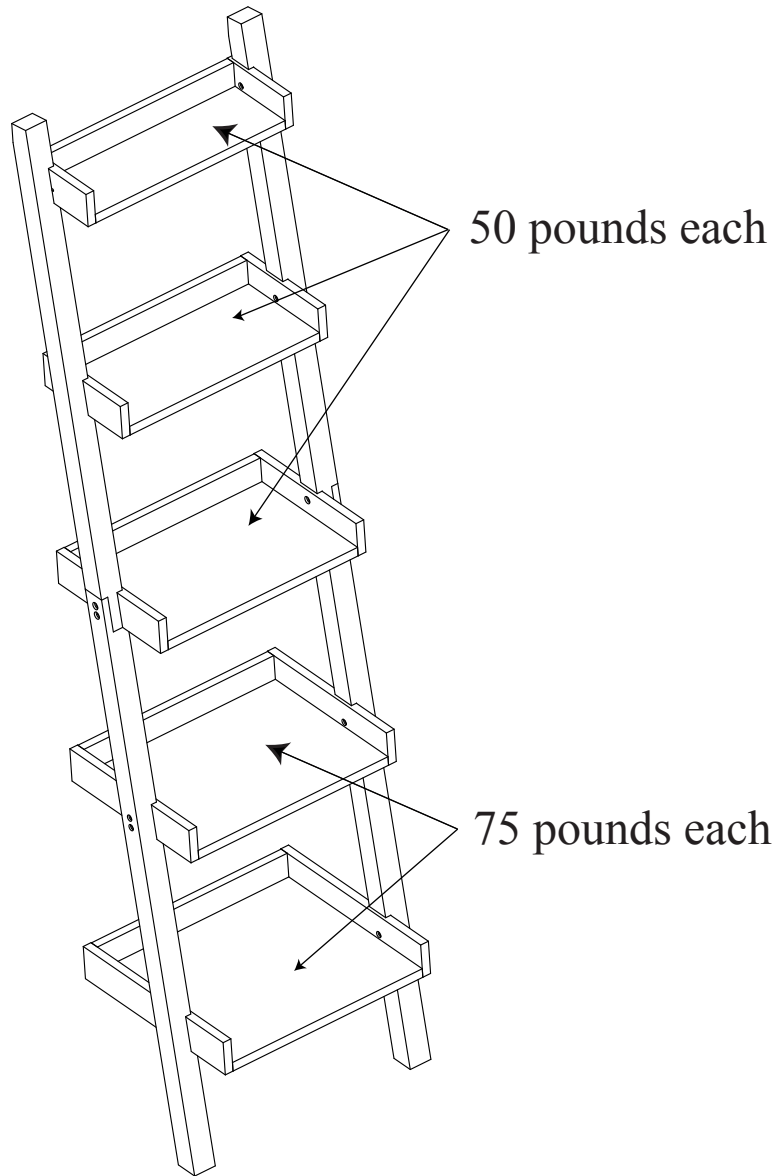


(H14) x 1
wall strap



- 2 Position the unit against the wall in the desired location.
- 3 Gently pull the wall strap along the product so that the strap will be hidden from view and mark the position of the strap hole on the wall.
- 4 Drill a 1/4" hole.
- 5 Tap in wall anchor.
- 6 Fasten anti-tip strap with wall screw provided.





Do not exceed the recommended weight limits on the designated panels. Exceeding these limits could cause sagging, possibly resulting in failure of the panel or bodily injury.