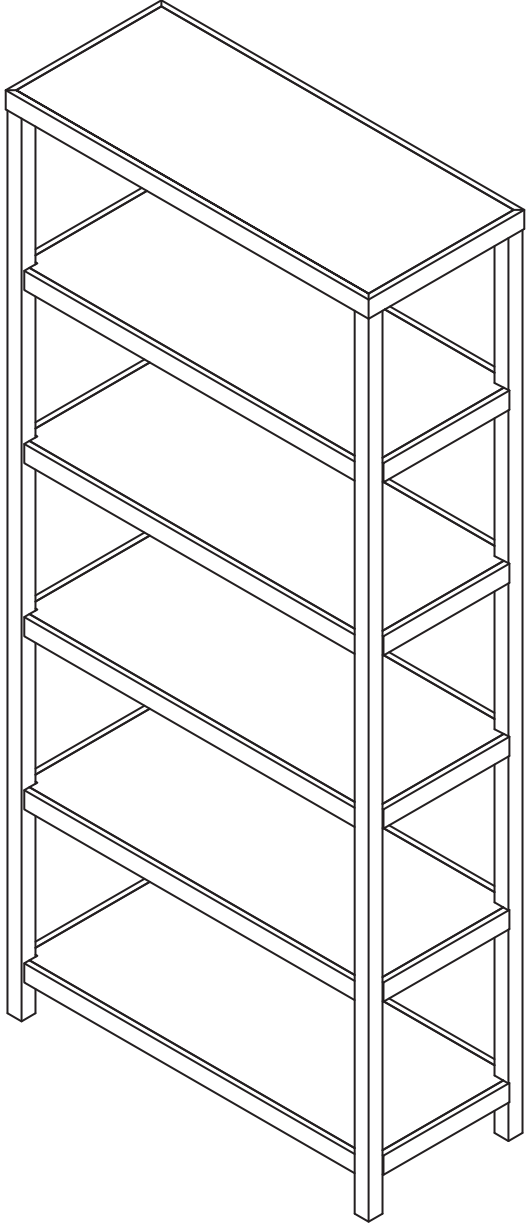
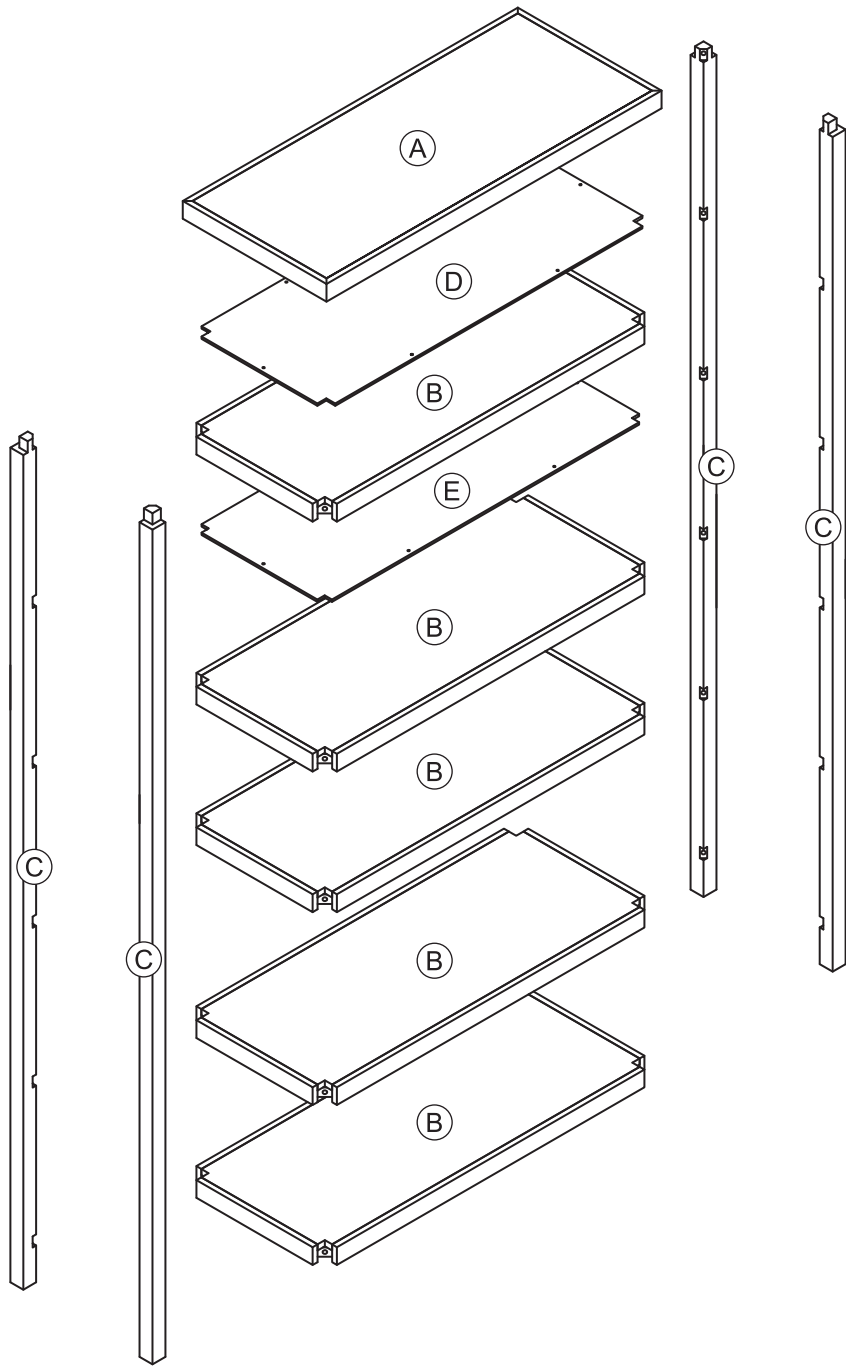


The Container Store[®]

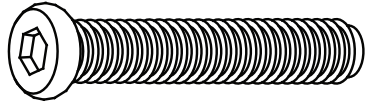
Assembly Instructions Copenhagen 6 Shelf Bookcase



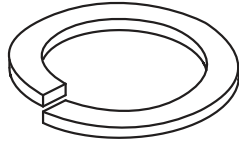


A	Top Shelf	1
B	Shelf	5
C	Leg	4
D	Upper Panel	1
E	Lower Panel	1

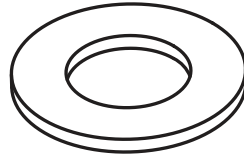
Please review the hardware listed on the next page as well as individual components of this product. As you unpack and prepare for assembly, place the contents on a carpeted or padded area to protect them from damage.



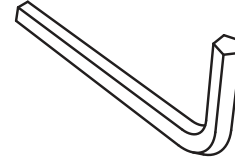
**H1 x 24
BOLT**



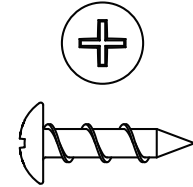
**H2 x 24
LOCK WASHER**



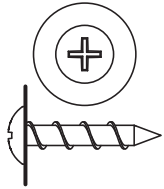
**H3 x 24
WASHER**



**H4 x 1
ALLEN
WRENCH**



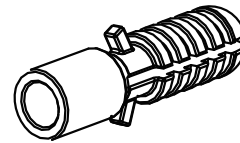
**H5 x 12
PAN HEAD
SCREW**



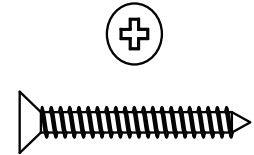
**H6 x 1
TRUSS HEAD
SCREW**



**H7 x 1
WALL STRAP**



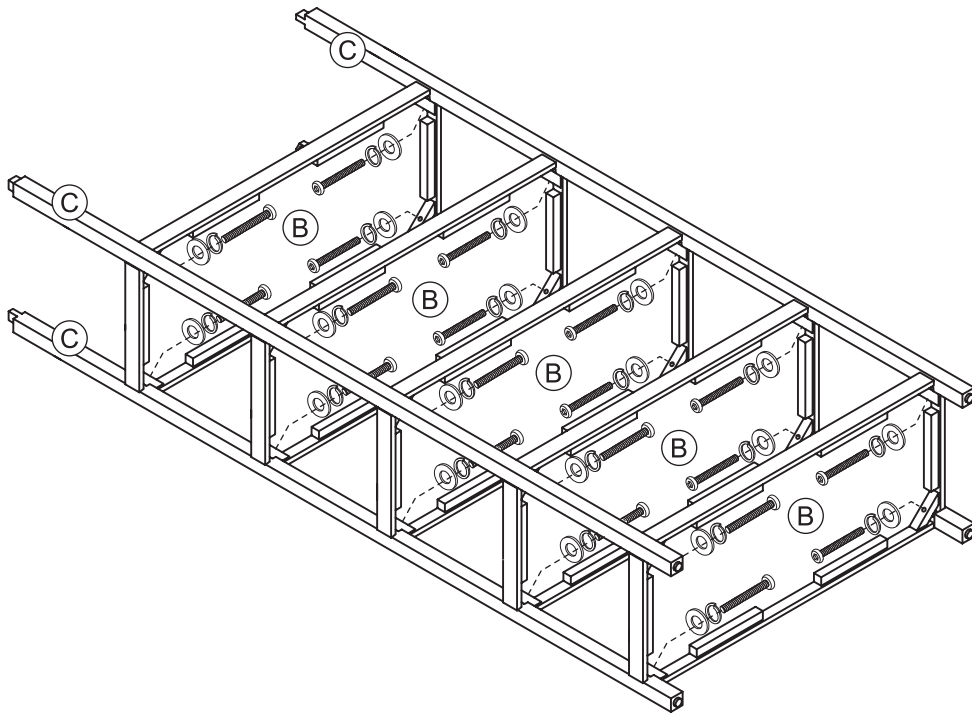
**H8 x 1
WALL ANCHOR**



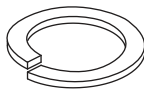
**H9 x 1
WALL SCREW**

TOOLS REQUIRED: PHILLIPS SCREW DRIVER / DRILL / HAMMER

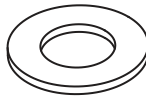
STEP 1



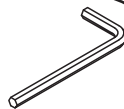
**H1 x 20
BOLT**



**H2 x 20
LOCK
WASHER**

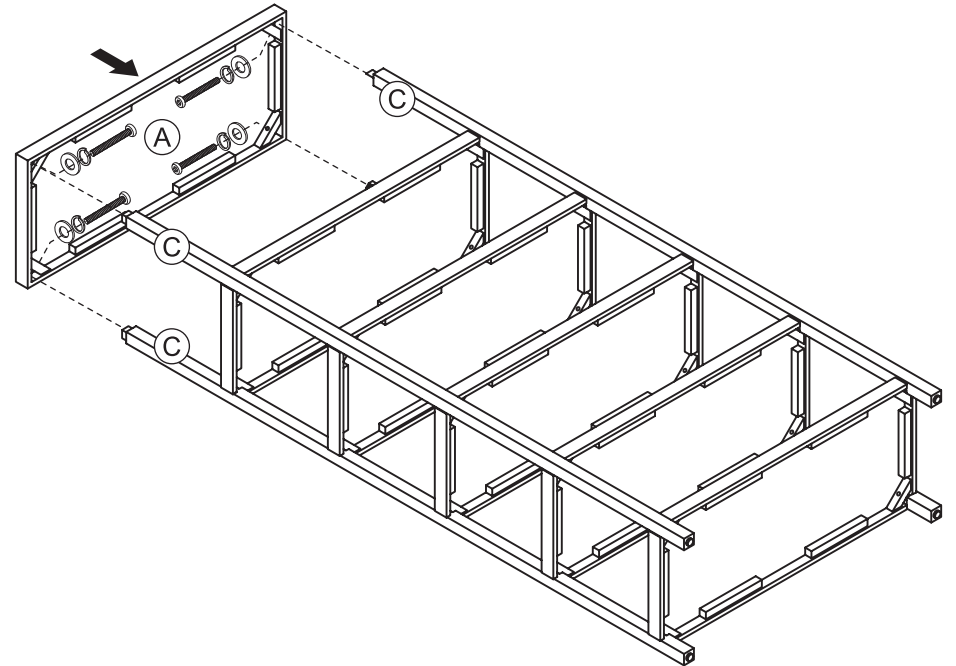


**H3 x 20
WASHER**

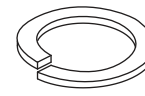


**H4 x 1
ALLEN
WRENCH**

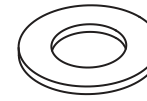
STEP 2



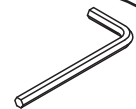
**H1 x 4
BOLT**



**H2 x 4
LOCK
WASHER**



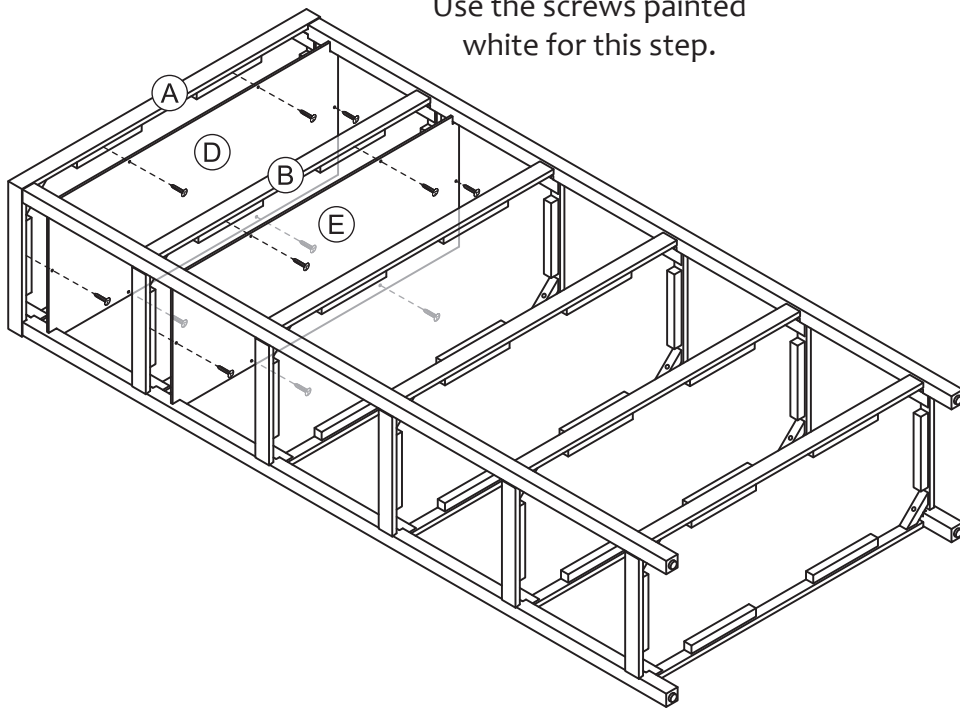
**H3 x 4
WASHER**



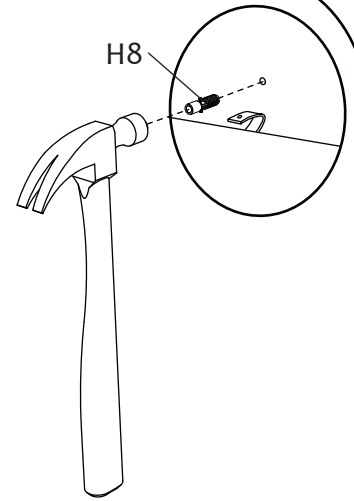
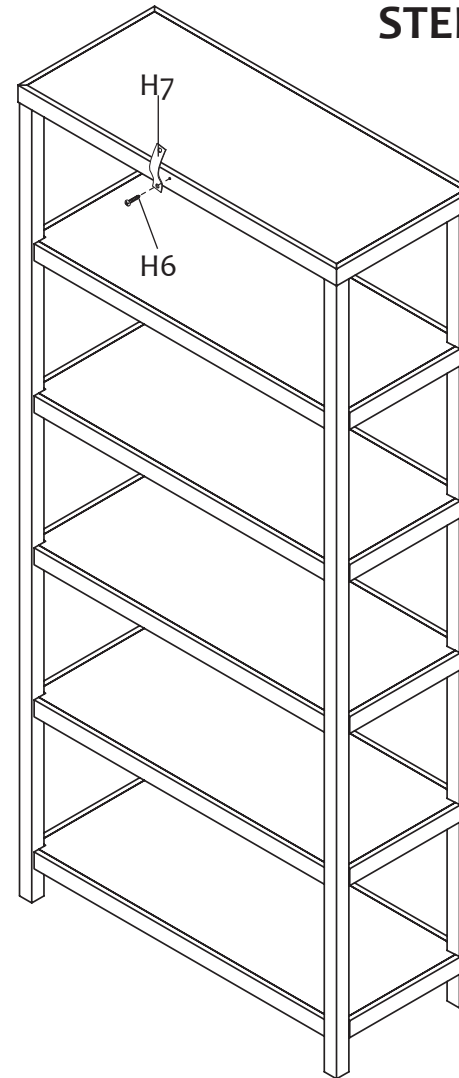
**H4 x 1
ALLEN
WRENCH**

STEP 3

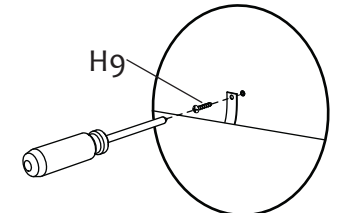
Use the screws painted white for this step.



STEP 4



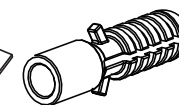
Position against wall
Mark position of strap hole
on wall
Drill 1/4" hole
tap in wall anchor



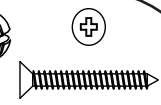
Fasten anti-tip strap with
wall screw provided



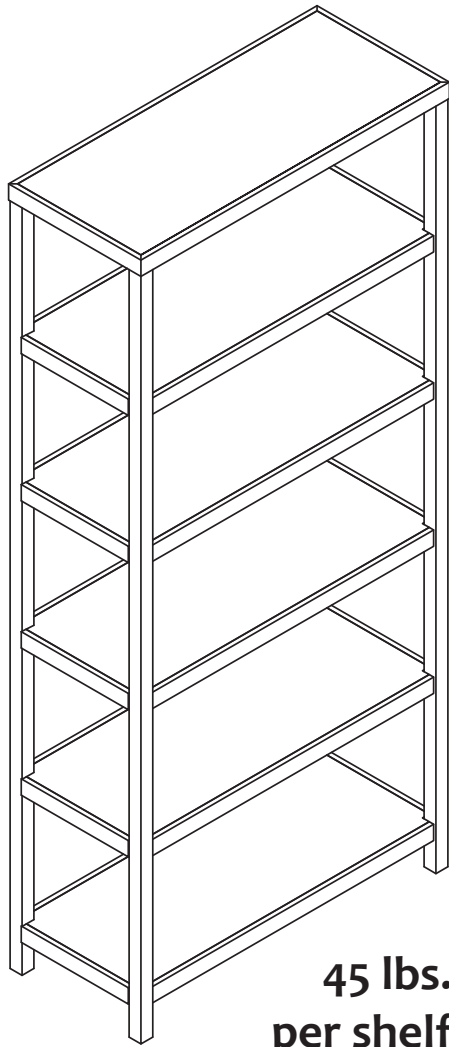
**H7 x 1
WALL STRAP**



**H8 x 1
WALL
ANCHOR**



**H9 x 1
WALL
SCREW**



**45 lbs.
per shelf**

WARNING: Do not exceed the recommended weight limits on the designated panels. Exceeding these limits could cause sagging, possibly resulting in failure of product or bodily injury. Severe injury may occur if furniture tips over. Never allow children to climb or play on this product. Place heaviest items on lower shelves and as far back as possible, never overload product.